

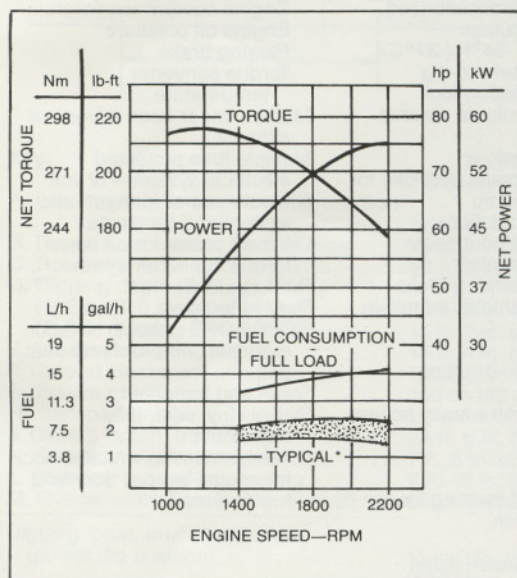


410C BACKHOE LOADER



Model shown may include options

ENGINE PERFORMANCE



*Depending on operating variables

FEATURES

75 SAE net hp (56 kW)

Backhoe digging depth (SAE)
 15 ft. 4 in. (4.67 m) - long dipperstick
 14 ft. 8 in. (4.47 m) - short dipperstick

Unitized frame

Isolated engine and operator's station

Walk-in front entry

Designed-in quietness

Closed-center hydraulic system

O-ring face seal hydraulic plumbing

Weight distributed for working stability

Self-adjusting hydraulic wet-disk brakes

Inboard planetary final drives

Transaxle 1st and 2nd collar shift, 3rd and 4th synchronized

Full-power-shift reverser

Torque converter

Single-lever loader control

Two-lever backhoe control

Two-lever stabilizer control with anti-drift lockouts—raise and lower

Multi-adjustable swivel seat w/high backrest and armrests

Hydrostatic power steering

Soundproofed cab w/integral ROPS/FOPS

Vandal protection w/built-in locks

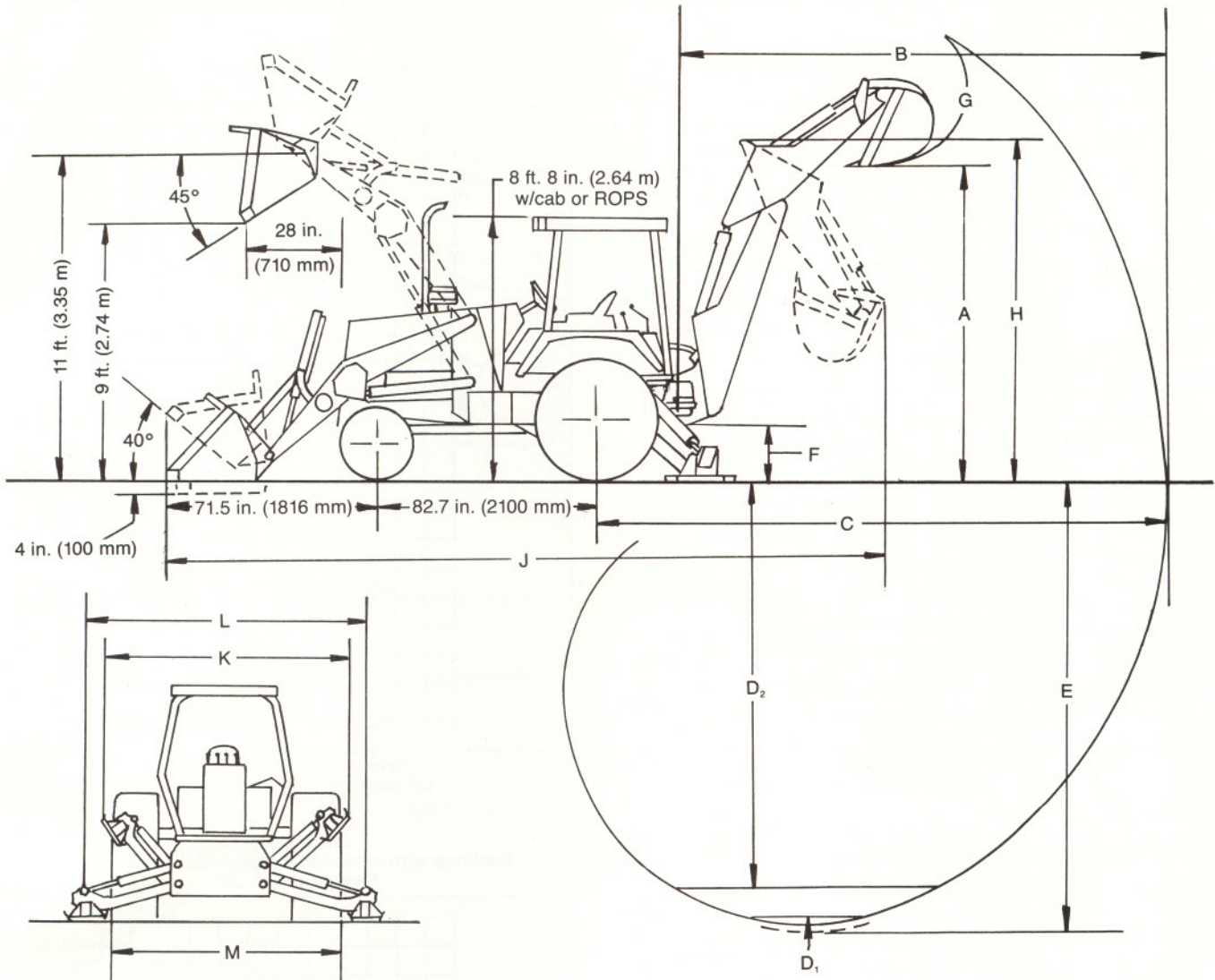
ADD VERSATILITY WITH:

Mechanical front-wheel drive with:
 Wet clutch—engage on the go
 Offset driveshaft for better ground clearance

Extendable dipperstick

410C BACKHOE LOADER SPECIFICATIONS AND DIMENSIONS

Drawing based on machine with 17.5L-24 tires



Key:

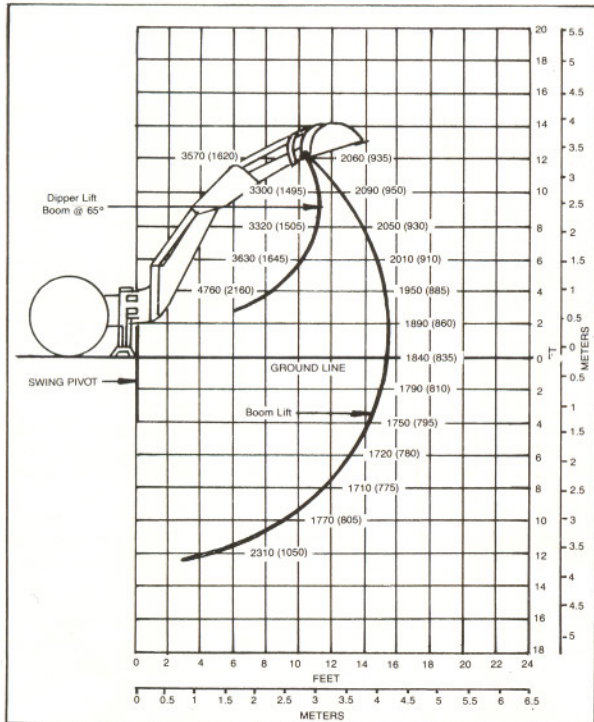
	Backhoe* w/Long Dipperstick	Backhoe* w/Short Dipperstick	Extendable Dipperstick Retracted	Extendable Dipperstick Extended
A. Loading height, truck loading position	11 ft. 10 in. (3.61 m)	11 ft. 1 in. (3.38 m)	11 ft. 6 in. (3.51 m)	13 ft. 11 in. (4.24 m)
B. Reach from center of swing mast	18 ft. 5 in. (5.61 m)	17 ft. 9 in. (5.42 m)	17 ft. 9 in. (5.42 m)	21 ft. 5 in. (6.53 m)
C. Reach from center of rear axle	22 ft. 2 in. (6.76 m)	21 ft. 6 in. (6.55 m)	21 ft. 6 in. (6.55 m)	25 ft. 2 in. (7.67 m)
D. Digging depth (SAE):				
(1) 2-ft. (610 mm) flat bottom	15 ft. 3 in. (4.65 m)	14 ft. 6 in. (4.42 m)	14 ft. 6 in. (4.42 m)	18 ft. 4 in. (5.59 m)
(2) 8-ft. (2440 mm) flat bottom	14 ft. 2 in. (4.32 m)	13 ft. 5 in. (4.09 m)	13 ft. 5 in. (4.09 m)	17 ft. 6 in. (5.34 m)
E. Maximum digging depth	15 ft. 4 in. (4.67 m)	14 ft. 8 in. (4.47 m)	14 ft. 8 in. (4.47 m)	18 ft. 5 in. (5.61 m)
F. Ground clearance, minimum	12 in. (305 mm)	12 in. (305 mm)	12 in. (305 mm)	12 in. (305 mm)
G. Bucket rotation	160 or 180 degrees	160 or 180 degrees	160 or 180 degrees	160 or 180 degrees
H. Transport height	11 ft. 5 in. (3.48 m)	11 ft. 5 in. (3.48 m)	11 ft. 8 in. (3.56 m)	11 ft. 8 in. (3.56 m)
J. Overall length, transport	23 ft. 5 in. (7.14 m)	22 ft. 11 in. (6.99 m)	23 ft. (7.01 m)	23 ft. (7.01 m)
K. Stabilizer width—transport	7 ft. 8 in. (2.34 m)	7 ft. 8 in. (2.34 m)	7 ft. 8 in. (2.34 m)	7 ft. 8 in. (2.34 m)
L. Stabilizer spread—operating	9 ft. 10 in. (3.00 m)	9 ft. 10 in. (3.00 m)	9 ft. 10 in. (3.00 m)	9 ft. 10 in. (3.00 m)
M. Overall width (less loader bucket)	82 in. (2080 mm)	82 in. (2080 mm)	82 in. (2080 mm)	82 in. (2080 mm)
Digging force, bucket cylinder (power dig position)	11,700 lb. (52.0 kN) (5310 kg)	11,700 lb. (52.0 kN) (5310 kg)	11,700 lb. (52.0 kN) (5310 kg)	11,700 lb. (52.0 kN) (5310 kg)
Digging force, crowd cylinder	6300 lb. (28.0 kN) (2860 kg)	6800 lb. (30.3 kN) (3085 kg)	6800 lb. (30.3 kN) (3085 kg)	4600 lb. (20.5 kN) (2085 kg)
Swing arc	180 degrees	180 degrees	180 degrees	180 degrees
Bucket positions	9 or 18 deg. rollback	12 or 21 deg. rollback	8 or 17 deg. rollback	12 or 22 deg. rollback
Operator control	Two levers	Two levers	Right foot treadle	Right foot treadle
Stabilizer angle rearward	14.5 degrees	14.5 degrees	14.5 degrees	14.5 degrees
Lifting capacity, maximum, boom @ 65°	4100 lb. (1860 kg)	4200 lb. (1910 kg)	4100 lb. (1860 kg)	2700 lb. (1220 kg)
Leveling angle	14 degrees	14 degrees	14 degrees	14 degrees

*Note: Backhoe specifications are with 24-in. (610 mm) standard bucket.

410C BACKHOE LOADER LIFTING CAPACITIES

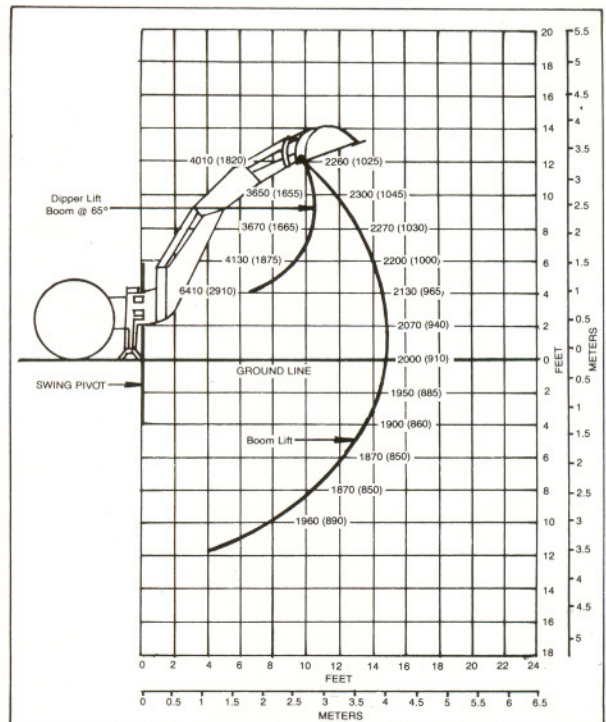
Lifting Capacity Ratings made from bucket hinge pin, loader bucket and stabilizer on firm, level ground. Lifting capacities are 87 percent of the maximum lift over any point on the swing arc and do not exceed 75 percent of the tipping load. Angle between boom and ground at 65 degrees. Machine equipped with 24-in. (610 mm) trenching bucket, standard or optional dipperstick (as indicated below) and standard equipment.

**Lift Capacity
Backhoe with long dipperstick.
Based on SAE J31.**



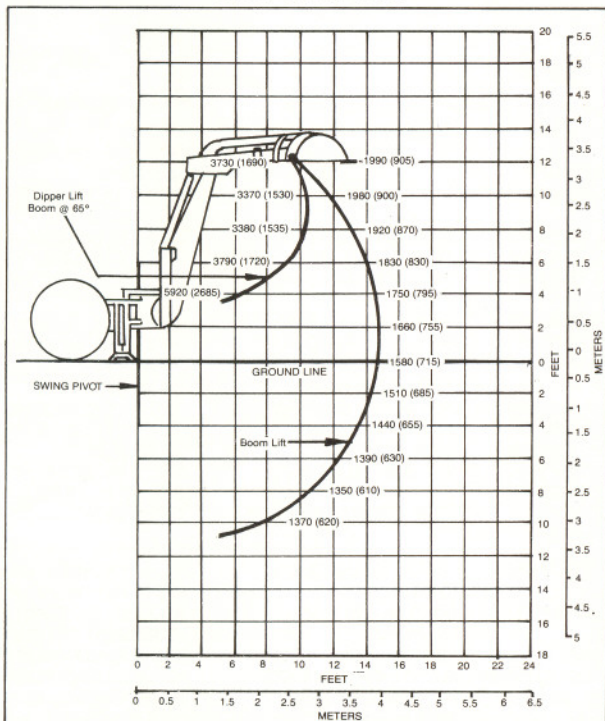
Rated lift capacities are in lb. (kg)
Lift capacities are hydraulically limited.

**Lift Capacity
Backhoe with short dipperstick.
Based on SAE J31.**



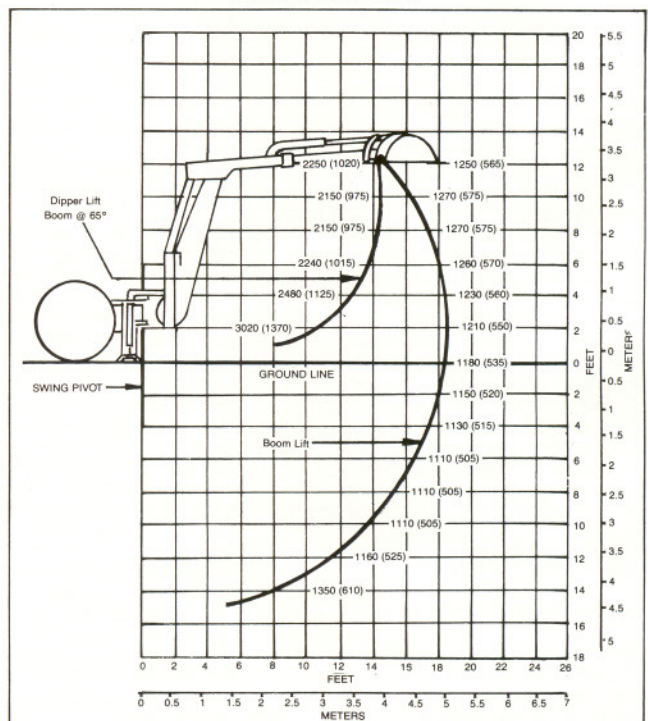
Rated lift capacities are in lb. (kg)
Lift capacities are hydraulically limited.

**Lift Capacity
Backhoe with extendable dipperstick, retracted.
Based on SAE J31.**



Rated lift capacities are in lb. (kg)
Lift capacities are hydraulically limited.

**Lift Capacity
Backhoe with extendable dipperstick, extended.
Based on SAE J31.**



Rated lift capacities are in lb. (kg)
Lift capacities are hydraulically limited.

410C BACKHOE LOADER

LOADER:

Operator control	Single lever
Breakout force	8800 lb. (39.1 kN) (3992 kg)
Lifting capacity, full height	5700 lb. (2585 kg)
Raising time to full height	4.4 sec.
Bucket dump time	1.10 sec.
Bucket lowering time (power down)	3.0 sec.

BUCKETS

Loader:	Width		Heaped Capacity	
	In.	(mm)	Cu. Yd.	(m ³)
General purpose	92	(2340)	1.0	(.76)
	92	(2340)	1.25	(.96)
Long lip	89.4	(2270)	1.25	(.96)
Backhoe:			Cu. Ft.	(m³)
Standard-duty	12	(305)	3.0	(.08)
	16	(406)	4.5	(.13)
	18	(457)	5.1	(.14)
	24	(610)	7.5	(.21)
	24	(610)	8.8	(.25)
	30	(762)	10.0	(.28)
	36	(914)	10.0	(.28)
	36	(914)	14.5	(.41)
Heavy-duty	18	(457)	5.1	(.14)
	24	(610)	7.5	(.21)
	30	(762)	10.0	(.28)
Ejector	24	(610)	5.7	(.16)

Optional or Special Equipment:

Altitude-compensating engine turbocharger
 Auxiliary hydraulic valves and circuit for loader and backhoe
 Backup alarm
 Cab with:
 Alternator, 51-amp
 Fabric-covered swivel seat, suspension or non-suspension
 Front defroster fan
 Front and rear wipers
 Integral ROPS/FOPS
 Standard heater—19,000 Btu/hr (5.6 kW)
 Cab, quarter (front windshield and door)
 Cold-weather starting aid, remote mounted
 Economy seat, vinyl covered, suspension or rigid mounted
 Engine coolant heater
 Extendable dipperstick for backhoe
 Fan blast baffles
 Fire extinguisher
 Front counterweight
 Heavy-duty batteries
 Instrument panel vandal cover
 Mechanical front-wheel drive
 Rear defroster fan
 Rearview mirror, inside mounted, curved, heavy-duty
 Rear wheel spacers for tire chain clearance
 Reversible stabilizer pads
 Rotating beacon light
 SMV emblem
 3-in. (76 mm) seat belt
 Three- or four-lever, pedal-swing backhoe controls
 Toolbox

Additional Available Equipment: *

Auxiliary bolt-on cutting edge for loader buckets
 Auxiliary fuel tank
 Backhoe lift eye
 Bolt-on teeth for loader bucket
 Cab pressurizer
 Deluxe heater w/fresh air intake—40,000 Btu/hr (11.7 kW)
 Air conditioner, 24,000 Btu/hr (7.0 kW)
 Front windshield and door kit
 Grille guard
 Lateral slides for operator's seat
 Loader bucket chain hooks, outer
 Longer dippersticks
 Light materials/snow loader buckets
 MFWD driveshaft guard
 Multipurpose loader buckets
 Radio or radio cassette
 Special paint

*See your John Deere dealer for further information