



New John Deere mini excavators with 360-degree swing and Side-Tracker™ boom

- Side-Tracker™ boom swings 90-degrees to the right side for precise digging along retaining walls and fences. Both models also feature up to 45-degrees of left side boom swing.
- 360-degree house swing allows operator to spot dump truck or spoil pile wherever he wants.
- Compact size allows operation in closely restricted quarters.
- Engine hood flips up for easy engine servicing.
- Equipped with dozer blade to efficiently backfill and grade.
- Dozer blade acts as outrigger, stabilizing the excavator when digging.
- Removable bucket teeth make it quick and easy to straighten or replace teeth.
- Fully enclosed engine provides quiet operation for less operator fatigue.
- Rugged undercarriage adds strength and durability.
- Compact size makes it easy to transport from jobsite to jobsite.
- Open operator's station makes mounting and dismounting from either side of machine easy.
- Hydrostatic propel drive system increases ease of operation.
- Boom, arm, bucket and swing control levers are pedestal mounted for operator comfort and convenience.
- Control lever function and movement are like large excavators for ease of operation. John Deere configuration.
- Liquid-cooled engines provide efficient operation and extend life.

Standard Equipment

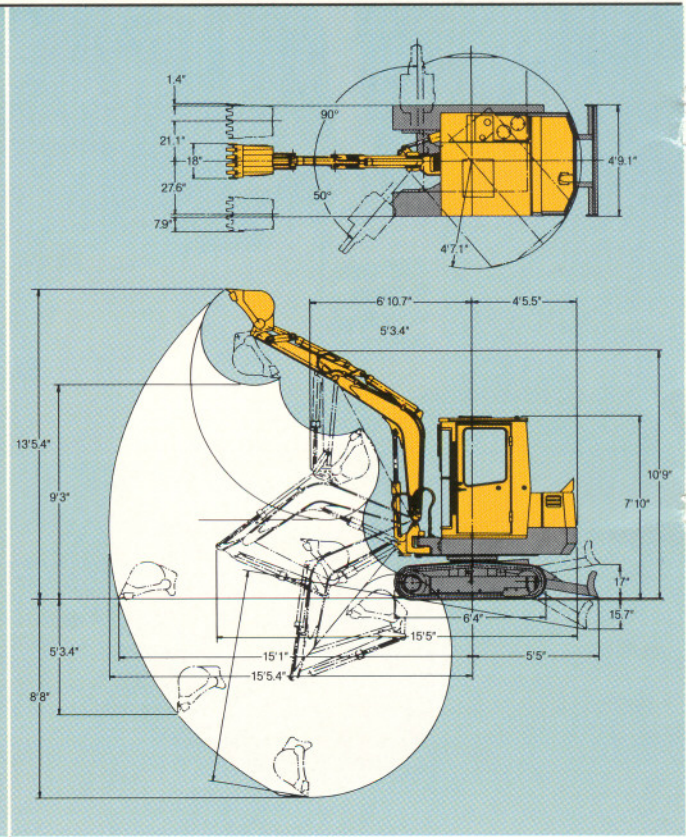
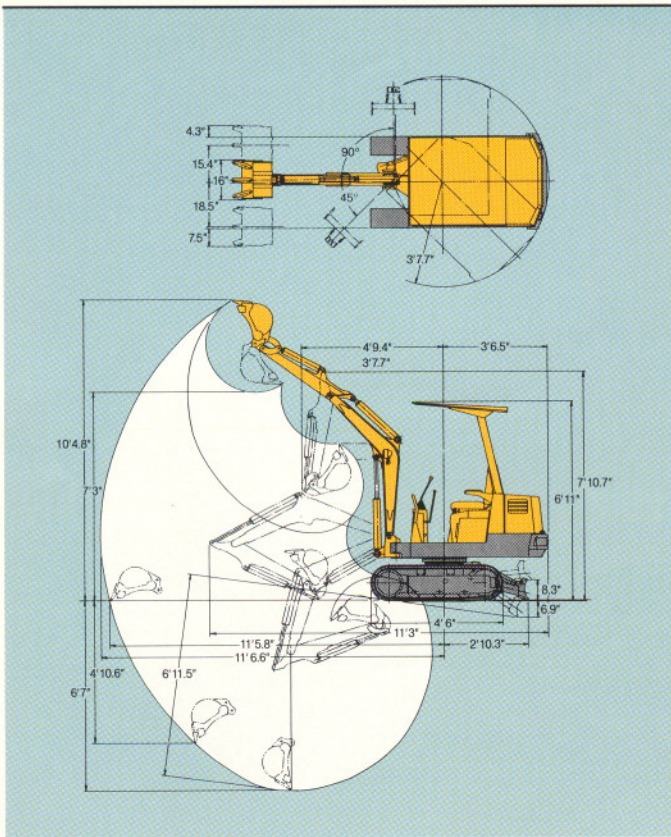
3 ft. 2 in. (960 mm) dozer blade on the 15 • 4 ft. 9 in. (1450 mm) dozer blade on the 25 • 16 in. (400 mm) bucket (15) 18 in. (450 mm) bucket (25) • John Deere control pattern • Control lever lockouts • Swing lock • Bolt-on rock guards drive sprocket and idler (25) Instrumentation • Air cleaner restriction indicator light • Engine oil pressure warning light (15) and buzzer (25) • Charge indicator light • Coolant temperature gauge • Hourmeter • Horn • Fuel gauge (25) • Boom light (15) • Mainframe light (25) • 3-point lift hooks (aid in lifting machine into an excavation) • Glow plug cold weather start (15) • Air heater cold weather start (25) • Seat belt • Canopy with Tip-Over Protective Structure (TOPS)

Optional Equipment

Rubber track
Cab (TOPS)
Auxiliary valve

Mini Excavator Specifications

(Specifications and design subject to change without notice.)



15

25

Engine (Make and model)	Yanmar 3TNA72-UJB	Yanmar 3TN78-RJB
Cylinders	3	3
Horsepower (Mfg. Rating @ rpm)	14.5 (10.8 kW) @ 2250	23 (17 kW) @ 2500
Bore and stroke	2.83x2.83 in. (72x72 mm)	3.07x3.39 in. (78x86 mm)
Displacement	53.6 cu. in. (879 cc)	75.2 cu. in. (1232 cc)
Hydraulic Pumps/System		
Quantity	3-section	3-section
Type	Gear	Gear
System	Open center/constant flow	Open center/constant flow
Total pump capacity	10.7 gpm (0.68 L/s)	25 gpm (1.58 L/s)
Max. system operating pressure	2204 psi (15 197 kPa)	2133 psi (14 707 kPa)
Performance Ratings		
Arm digging force	1565 lb. (7 kN)	2910 lb. (13 kN)
Bucket digging force	2315 lb. (10 kN)	4519 lb. (20 kN)
Max. reach at ground level	11 ft. 3 in. (3.44 m)	15 ft. 1 in. (4.60 m)
Max. digging depth w/o blade	6 ft. 7 in. (2.00 m)	8 ft. 8 in. (2.65 m)
Max. digging depth w/blade	6 ft. 11 in. (2.12 m)	9 ft. 4 in. (2.85 m)
Max. dump height	7 ft. 3 in. (2.20 m)	9 ft. 3 in. (2.83 m)
Boom		
Swing angle	45 deg. left/90 deg. right	50 deg. left/90 deg. right
Arm length	3 ft. 1 in. (0.95 m)	3 ft. 11 in. (1.2 m)
Offset distance L/R	18.5/15.4 in. (470/390 mm)	276/211 in. (700/535 mm)
Track		
Track gauge	2 ft. 5 in. (0.73 m)	3 ft. 8 in. (1.13 m)
Track length	4 ft. 6 in. (1.37 m)	6 ft. 4 in. (1.94 m)
Track shoe width	9 in. (230 mm)	13 in. (320 mm)
Std. ground contact area	842 sq. in. (5432 cm ²)	1635 sq. in. (10548 cm ²)
Std. ground pressure	3.48 psi (24 kPa)	3.93 psi (27.10 kPa)
Track rollers (each side)	3	4
Track carriers (each side)	0	1
Maximum travel speed	1.24 mph (2.0 km/h)	1.24 mph (2.0 km/h)
Track width	3 ft. 2 in. (0.96 m)	4 ft. 9 in. (1.45 m)
Gradability	58%/30 deg.	58%/30 deg.
Swing speed	9 rpm	10 rpm
Tailswing	3 ft. 8 in. (1.11 m)	4 ft. 7 in. (1.40 m)
Operating weight	2930 lb. (1328 kg)	6426 lb. (2915 kg)
Std. bucket capacity	0.05 cu. yd. (0.04 m ³)	0.10 cu. yd. (0.08 m ³)
Ground clearance	8.3 in. (210 mm)	11.8 in. (300 mm)
Capacities		
Cooling system	0.66 gal. (2.5 L)	1.45 gal. (5.5 L)
Fuel tank	5.8 gal. (22 L)	12.9 gal. (49 L)
Crankcase	0.5 gal. (1.9 L)	1.05 gal. (4.0 L)
Hydraulic system	11.1 gal. (42 L)	22.5 gal. (85 L)
Hydraulic reservoir	9.0 gal. (34 L)	17.2 gal. (65 L)
Propel drive gear case (each side)	0.09 gal. (0.35 L)	0.13 gal. (0.5 L)
Revolving gear case		0.61 gal. (2.3 L)
Dimensions		
Std. transport width	3 ft. 3 in. (1.00 m)	4 ft. 9 in. (1.45 m)
Std. transport length	11 ft. 6 in. (3.50 m)	15 ft. 5 in. (4.69 m)
Std. transport height	6 ft. 11 in. (2.10 m)	7 ft. 10 in. (2.38 m)