

**SPECIFICATIONS****280****Engine:**

Make .....	John Deere
Model .....	4045T
Type .....	Diesel
Cylinders .....	4
Bore .....	106 mm (4.17-in.)
Stroke .....	127 mm (5-in.)
Displacement .....	4.5 L (276 cu. in.)
Gross horsepower (SAE J1940) .....	67.1 kW (90 hp) @ 2400 rpm
Net horsepower (SAE J1940) .....	63.4 kW (85 hp) @ 2400 rpm
Torque rise .....	25%
RPM, rated .....	2400
RPM, slow (no load) .....	1000
RPM, fast (no load) .....	2525
Lubrication .....	Full pressure
Crankcase capacity (with filter) .....	12 L (12.7 qt.)
Cooling system .....	Liquid
Coolant capacity radiator and block .....	13.4 L (14.2 qt.)
Air filter type .....	Dry paper with primary and secondary elements

**Electrical:**

Type of starter .....	4.2 kW Valeo
Battery voltage .....	12 V
Battery reserve capacity at 27°C (80°F) .....	180 minutes
Battery cold cranking amps at -18°C (0°F) .....	950
Charging system .....	55 amp alternator

**Fuel System:**

Fuel .....	Diesel #2
Capacity .....	91 L (24 gal.)
Fuel delivery .....	Rotary injection
Fuel shut-off .....	Fuel shutoff solenoid in injection pump

**Powertrain:**

Type .....	Variable displacement
Brakes .....	Wet disk on hydrostatic motorshaft—SAHR (spring-applied/hydraulic-release)

**Steering:**

Type .....	Servo-controlled hydrostatic
------------	------------------------------

**Hydraulics:**

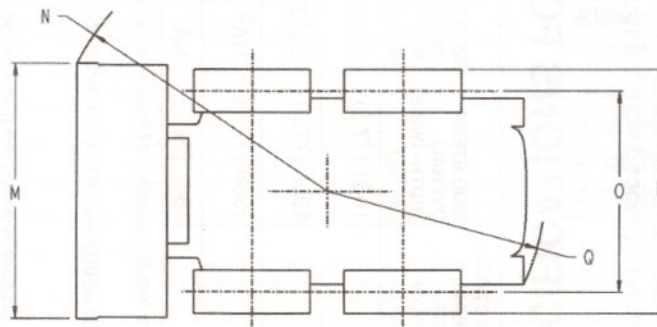
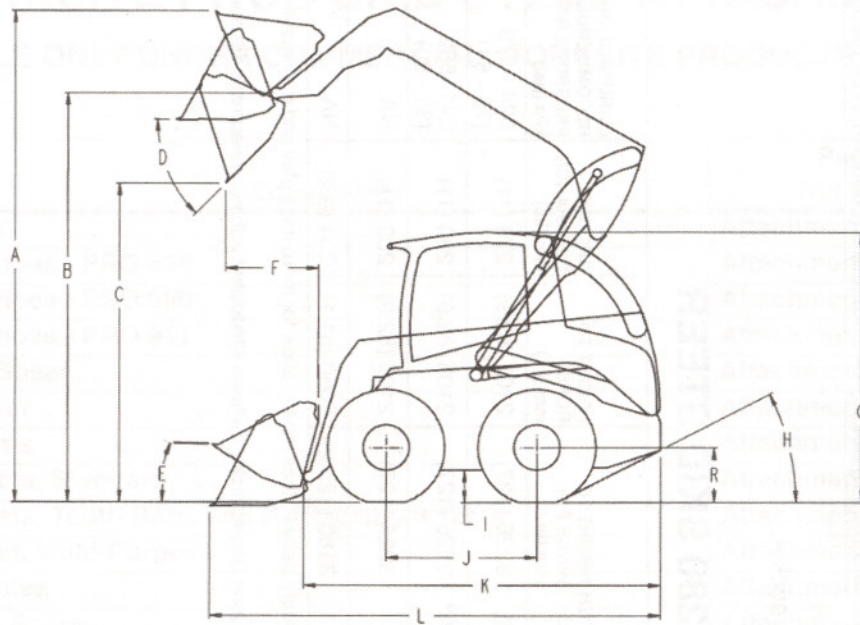
Main system relief pressure .....	21374 kPa (3100 psi)
Hydraulic pump (standard flow) .....	106 lpm (21.3 gpm)
Hydraulic pump (high flow) .....	157 lpm (41.5 gpm)
Hydraulic valve .....	3-spool open center
Hydraulic system capacity .....	34.1 L (9 gal.)
Built-in boom locks .....	Yes
Self-leveling .....	Optional - hydraulic
Cushioned down boom and raise cylinders .....	Standard

**Performance:**

SAE rated operating capacity .....	1451 kg (3200 lb.)
SAE rated operating capacity with counterweights .....	1591 kg (3500 lb.)
SAE breakout force (bucket) .....	5262 kg (11,600 lb.)
SAE breakout force (boom) .....	3016 kg (6650 lb.)
Ground speed:	
Single speed .....	11.3 km/h (7.0 mph)
Low range (dual speed) .....	11.3 km/h (7.0 mph)
High range (dual speed) .....	19.3 km/h (12.0 mph)
Axle torque .....	9038 N•m (6666 lb-ft)
SAE operating weight .....	4173 kg (9200 lb.)
SAE tipping load .....	3175 kg (7000 lb.)



## DIMENSIONS



CSM5956

**280**

A. Overall Operating Height - mm (in.).	4000 (157.5)
B. Height to Hinge Pin - mm (in.).	3226 (127)
C. Dump Height - mm (in.).	2591 (102)
D. Dump Angle - degrees.	45
E. Bucket Rollback - degrees.	35
F. Dump Reach - mm (in.).	813 (32)
G. Height to ROPS - mm (in.).	2105 (82.9)
H. Angle of Departure - degrees.	27
I. Ground Clearance - mm (in.).	241 (9.5)
J. Wheelbase - mm (in.).	1235 (48.6)
K. Overall Length less Bucket - mm (in.).	2921 (115)
L. Overall Length with Bucket - mm (in.).	3504 (138)
M. Overall Width with Bucket - mm (in.).	1981 (78)
N. Turning Radius (Front) - mm (in.).	2126 (83.7)
O. Wheel Tread - mm (in.).	1589 (62.6)
P. Overall Width less Bucket - mm (in.).	1961 (77.2)
Q. Turning Radius (Rear) - mm (in.).	1752 (69)
R. Height to Axle Center Point - mm (in.).	447 (17.6)

**Notes:**

- 1) Performance based on skid steer equipped with 14.00 x 17.5 SKS Hauler (280) tires, auxiliary boom hydraulics, 78-in. heavy-duty foundry bucket, full fuel tank, and 75 kg (165 lb.) operator per SAE Standard J732.
- 2) Various dimensions for skid steers equipped with non-standard buckets or tires can be found in the chart at the end of this section.