

# 304 G

Compact Wheel Loader



JOHN DEERE





## 304 G-TIER COMPACT WHEEL LOADER

# *SAY HELLO TO NEW POSSIBILITIES*

The John Deere G-Tier Compact Wheel Loader lineup delivers rugged, reliable, and economical solutions that don't sacrifice equipment quality or dealer support. Simple and intuitive machine functionality is a perfect fit for novice operators, while performance-enhancing options expand capabilities to boost the performance of experienced pros. Whether you work in site development, landscaping, or ag material handling, the sizable travel-speed increase powering the 304 G-tier is just one of the many customer-inspired ideas designed to move your operation to a new level of productivity.

## FEATURES



### Comfort in the cab

New cab design features frameless doors and an expansive ceiling-to-floor windshield with a clear view to the front tires. Adjustable display mounted on the A-post rail provides a wealth of operating info. Optimized airflow through the HVAC system enhances operator comfort.

### Have speed, will travel

Impressive 18.6-mph ground speed helps you move quickly around the jobsite and on to the next task.

### In command

Increased machine height and width compared to the 304L improve jobsite visibility and overall stability.

### It's all about control

Easily control hydraulic attachments like brooms and snow blowers with the optional attachment-assist package.\* System includes third-function mini-joystick and combined creep control and throttle lock that allows the operator to lock in engine speed to maintain consistent hydraulic flow as needed.

\*Available for cab-equipped models only.



18.6-MPH TRAVEL SPEED IS  
**55% FASTER**  
THAN THE 304L

### **Power up**

Smooth-running turbocharged Yanmar engine packs plenty of power and torque reserve. Limited-slip differential lock automatically delivers power to the tire with the best traction, for extra bucket-filling effort.

### **Keep things simple**

Ground-level fuel fill and extended service intervals help simplify routine maintenance.

### **Close at hand**

Boom, bucket, F-N-R, and third-function hydraulics are positioned on the same ergonomic low-effort lever, for convenient one-hand control. Handy switches put control of the coupler, travel speed, park brake, lights, and other functions within easy reach.

### **Ride it out**

Operator-defined settings allow optional speed-activated ride control to automatically switch off and on when established speed thresholds are reached.

### **The choice is yours**

ROPS-certified open-canopy model is designed to withstand the elements — with weather-resistant gauges, an extended rooftop, nonskid floor mats, and optional vandal proofing. For year-round comfort, opt for a heated and air-conditioned low-profile cab.

### **Go with the flow**

Cooling package has been redesigned with larger entry/exit screens to optimize flow and performance.



## 304 G-TIER COMPACT WHEEL LOADER



### **NEW LARGER FUEL TANK**

**LETS YOU RUN LONGER  
BETWEEN FILL-UPS OVER  
L-SERIES MACHINES**

#### **Keep working longer**

New larger fuel tank lets you run longer between fill-ups. Durable plastic construction helps prevent damage and rust, extending wear life.

#### **Business booster**

John Deere attachments are a great way to expand the flexibility of your operation. With more than 100 models, they'll help you broaden your abilities, work smarter, and accomplish even more.

#### **Here to back you up**

Parts and service are always available at over 1,400 John Deere dealer locations throughout North America.





While general information, pictures, and descriptions are provided, some illustrations and text may include product options and accessories NOT AVAILABLE in all regions, and in some countries products and accessories may require modifications or additions to ensure compliance with the local regulations of those countries.

<b>Engine</b>		<b>304 G-TIER</b>
Manufacturer and Model	Yanmar 4TN86CHT-M high power	
Non-Road Emission Standard	EPA Final Tier 4 / EU Stage V	
Cylinders	4	
Valves per Cylinder	4	
Displacement	2.1 L (128 cu. in.)	
Net Peak Power at 2,200 rpm (SAE J1349 / ISO 9249)	53 kW (72 hp)	
Gross Rated Power at 2,200 rpm (ISO 14396)	55 kW (74 hp)	
Peak Torque at 1,690 rpm (SAE J1349 / ISO 9249)	274 Nm (372 lb.-ft.)	
Engine Bore and Stroke	86 x 90 mm (3.39 x 3.54 in.)	
Lubrication	Pressure system with full-flow spin-on filter	
Aspiration	Turbocharged	
Air Cleaner	Dual safety element dry type	
<b>Cooling</b>		
Fan	Direct driven	
Engine Coolant Rating	-37 deg. C (-34 deg. F)	
<b>Powertrain</b>		
Type	Hydrostatic (HST) with infinitely variable speed control over full range of operating speeds; 2 speed ranges; joystick-mounted F-N-R; acceleration pedal; HST inching pedal, which allows infinitely reduced travel speeds while maintaining full engine rpm and hydraulic flow	
2 Travel Speeds in Forward and Reverse (equipped with 405/70R20 tires)		
Gear 1	6.0 km/h (3.7 mph)	
Gear 2	30.0 km/h (18.6 mph)	
<b>Axles</b>		Rigid-mount front and rear axles with 10-deg. frame oscillation
Rear-Axle Versus Front-Axle Oscillation	20 deg. total, stop to stop	
<b>Differentials</b>		45% locking front and rear differentials
Maximum Rise and Fall, Single Wheel	254 mm (10 in.)	
<b>Steering</b>		Hydraulic power steering (SAE J1511); 40-deg. articulation left and right
Steering Wheel Turns, Stop to Stop	3.5 left to 4.5 right	
Articulation Angle	80-deg. arc (40 deg. each direction)	
<b>Final Drive</b>		Heavy-duty outboard planetary
<b>Brakes (SAE J1473 / ISO 3450)</b>		
Service Brakes	Hydraulically actuated, self-adjusting internal wet-disc brake and driveline drum brake	
Parking Brake	Automatically spring-applied, hydraulically released, internal wet disc	
<b>Hydraulics</b>		
<b>Main Pump (loader and steering)</b>		Fixed-displacement gear pump; open-center system
Maximum Rated Flow at 6895 kPa (1,000 psi)	80 L/m (21 gpm)	
Maximum Pressure at Couplings	23 000 kPa (3,336 psi)	
<b>System Relief Pressure</b>		
Loader	23 000 kPa (3,336 psi)	
Steering	18 002 kPa (2,611 psi)	
<b>Hydraulic Cycle Time</b>		
Raise	6.2 sec.	
Dump	1.9 sec.	
Lower (power down)	4.6 sec.	
Total	12.7 sec.	
<b>Controls</b>		3-function valve with single-lever control for boom and bucket, with hydraulic lockout feature; joystick-mounted push-button electrohydraulic (EH) control for auxiliary hydraulics, with hydraulic lockout feature; ride control electrically actuated for improved ride quality (factory and field option)
<b>Cylinders</b>		
Type	Heat-treated, chrome-plated, polished cylinder rods; hardened steel (replaceable bushings) pivot pins	

## 304 G-TIER WHEEL LOADER SPECIFICATIONS

# 304

# G

While general information, pictures, and descriptions are provided, some illustrations and text may include product options and accessories NOT AVAILABLE in all regions, and in some countries products and accessories may require modifications or additions to ensure compliance with the local regulations of those countries.

Electrical		304 G-TIER	
Type	Electrical load center with blade-type multi-fused circuits		
Voltage	12 volt		
Number of Batteries	1		
Battery Capacity	830 CCA		
Alternator Rating	80 amp		
Lights (SAE 99)	Driving/front working lights (2), rear working lights (2), turn signals, flashers, and stop- and taillights		
Operator's Station			
Noise Level (ISO 6396)			
Operator Ear	78 dba		
Bystander	101 dba		
Tires/Wheels			
Tires on Single-Piece Rims	Tread Width*	Width Over Tires <sup>†</sup>	Change in Vertical Height
405/70R20 Mitas EM-01 (standard)	1500 mm (4 ft. 11 in.)	1960 mm (6 ft. 5 in.)	—
400/70R20 Michelin XMCL (optional)	1500 mm (4 ft. 11 in.)	1960 mm (6 ft. 5 in.)	-6 mm (-0.24 in.)
405/70R18 Firestone Duraforce (optional)	1500 mm (4 ft. 11 in.)	1960 mm (6 ft. 5 in.)	-27 mm (-1.06 in.)
400/70R20 Nokian Hakkapeliitta Tri (optional)	1500 mm (4 ft. 11 in.)	1950 mm (6 ft. 5 in.)	-2 mm (-0.08 in.)
*Also see <b>J</b> in <b>Dimensions</b> section on pages 8 and 9. / <sup>†</sup> Also see <b>K</b> in <b>Dimensions</b> section on pages 8 and 9.			
Serviceability			
Refill Capacities		Refill Capacities (continued)	
Cooling System (engine and radiator)	10.0 L (10.6 qt.)	Fuel Tank	62.0 L (16.4 gal.)
Differential and Planetary Axle		Hydraulic/HST Reservoir	45.0 L (11.9 gal.)
Front	6.7 L (7.1 qt.)	With Filter	
Rear	6.7 L (7.1 qt.)	HST Motor Gearbox	1.0 L (1.1 qt.)
Engine Oil With Filter	7.4 L (7.8 qt.)		
Operating Weights			
With standard equipment, 405/70R20 tires, standard counterweight, 79-kg (175 lb.) operator, and full fuel tank			
	With Enclosed Cab	With Open ROPS	
Quik-Tatch™ Quick-Coupler			
With 0.8-m <sup>3</sup> (1.0 cu. yd.) General-Purpose Bucket	5920 kg (13,051 lb.)	5870 kg (12,941 lb.)	
With Bolt-On Edge			
With 1.1-m <sup>3</sup> (1.4 cu. yd.) General-Purpose Bucket	6030 kg (13,294 lb.)	5980 kg (13,184 lb.)	
With Bolt-On Edge			
With 1.6-m <sup>3</sup> (2.1 cu. yd.) General-Purpose Bucket	6110 kg (13,470 lb.)	6060 kg (13,360 lb.)	
With Bolt-On Edge			
With Fork	5870 kg (12,941 lb.)	5820 kg (12,831 lb.)	
Hook/Euro Quick-Coupler			
With 0.8-m <sup>3</sup> (1.0 cu. yd.) General-Purpose Bucket	5720 kg (12,610 lb.)	5670 kg (12,500 lb.)	
With Bolt-On Edge			
With 1.1-m <sup>3</sup> (1.4 cu. yd.) General-Purpose Bucket	5840 kg (12,875 lb.)	5790 kg (12,765 lb.)	
With Bolt-On Edge			
With 1.6-m <sup>3</sup> (2.1 cu. yd.) General-Purpose Bucket	5900 kg (13,007 lb.)	5850 kg (12,897 lb.)	
With Bolt-On Edge			
With Fork	5610 kg (12,368 lb.)	5560 kg (12,258 lb.)	
Optional Components			
Quik-Tatch Quick-Coupler			
With 0.8-m <sup>3</sup> (1.0 cu. yd.) Bucket	405 kg (893 lb.)	405 kg (893 lb.)	
With 1.1-m <sup>3</sup> (1.4 cu. yd.) Bucket	481 kg (1,061 lb.)	481 kg (1,061 lb.)	
With 1.6-m <sup>3</sup> (2.1 cu. yd.) Bucket	584 kg (1,288 lb.)	584 kg (1,288 lb.)	
With Fork and 1.2-m (48 in.) Tines	328 kg (723 lb.)	328 kg (723 lb.)	
With Fork and 1.52-m (60 in.) Tines	357 kg (787 lb.)	357 kg (787 lb.)	
Hook/Euro Quick-Coupler			
With 0.8-m <sup>3</sup> (1.0 cu. yd.) Bucket	337 kg (743 lb.)	337 kg (743 lb.)	
With 1.1-m <sup>3</sup> (1.4 cu. yd.) Bucket	457 kg (1,008 lb.)	457 kg (1,008 lb.)	
With 1.6-m <sup>3</sup> (2.1 cu. yd.) Bucket	520 kg (1,146 lb.)	520 kg (1,146 lb.)	
With Fork and Tines	235 kg (518 lb.)	235 kg (518 lb.)	

While general information, pictures, and descriptions are provided, some illustrations and text may include product options and accessories NOT AVAILABLE in all regions, and in some countries products and accessories may require modifications or additions to ensure compliance with the local regulations of those countries.

Dimensions and Specifications With Quik-Tatch Coupler and Bucket OR With Hook/Euro Quick-Coupler and Bucket			
		304 G-TIER	
<b>Dimensions With Quik-Tatch Coupler OR With Hook/Euro Quick-Coupler / With General-Purpose (GP) Bucket With Bolt-On Edge</b>			
		0.8 m <sup>3</sup> (1.0 cu. yd.)	1.1 m <sup>3</sup> (1.4 cu. yd.)
		1.6 m <sup>3</sup> (2.1 cu. yd.)	
<b>A</b>	Height to Top of Cab	2634 mm (8 ft. 8 in.)	2634 mm (8 ft. 8 in.)
<b>A'</b>	Height to Top of Canopy	2610 mm (8 ft. 7 in.)	2610 mm (8 ft. 7 in.)
<b>B</b>	Height to Top of Exhaust	1890 mm (6 ft. 2 in.)	1890 mm (6 ft. 2 in.)
<b>C</b>	Ground Clearance	332 mm (13 in.)	332 mm (13 in.)
<b>D</b>	Length From Centerline to Front Axle	1070 mm (3 ft. 6 in.)	1070 mm (3 ft. 6 in.)
<b>E</b>	Wheelbase	2150 mm (7 ft. 1 in.)	2150 mm (7 ft. 1 in.)
<b>F</b>	Height to Hinge Pin, Fully Raised	3350 mm (11 ft. 0 in.)	3350 mm (11 ft. 0 in.)
<b>G</b>	Maximum Rollback at Ground Level	42 deg.	42 deg.
<b>H</b>	Maximum Rollback at Full Height	65 deg.	65 deg.
<b>I</b>	Bucket Width	1.90 m (6 ft. 3 in.)	2.20 m (7 ft. 3 in.)
<b>J</b>	Tread Width (standard) <sup>8</sup>	1500 mm (4 ft. 11 in.)	1500 mm (4 ft. 11 in.)
<b>K</b>	Width Over Tires (standard) <sup>8</sup>	1960 mm (6 ft. 5 in.)	1960 mm (6 ft. 5 in.)
<sup>8</sup> Also see <b>Tires/Wheels</b> section on page 7.			
<b>Dimensions With Quik-Tatch Coupler and GP Bucket With Bolt-On Edge</b>			
<b>L</b>	Overall Length, Bucket on Ground	5470 mm (17 ft. 11 in.)	5540 mm (18 ft. 2 in.)
<b>M</b>	Dump Clearance, 40-deg. Full Height	2570 mm (8 ft. 5 in.)	2520 mm (8 ft. 3 in.)
<b>N</b>	Reach, 40-deg. Dump, Full Height	941 mm (3 ft. 1 in.)	985 mm (3 ft. 3 in.)
<b>O</b>	Maximum Reach, 42-deg. Dump	1680 mm (5 ft. 6 in.)	1720 mm (5 ft. 8 in.)
<b>P</b>	Maximum Digging Depth	80 mm (3.0 in.)	80 mm (3.0 in.)
<b>Q</b>	Bucket Dump at Full Height	40 deg.	40 deg.
<b>R</b>	Turning Circle Radius Over Outside of Bucket Edge	4350 mm (14 ft. 3 in.)	4510 mm (14 ft. 10 in.)
<b>Specifications With Quik-Tatch Coupler and GP Bucket With Bolt-On Edge</b>			
	Capacity, Heaped, SAE	0.8 m <sup>3</sup> (1.1 cu. yd.)	1.1 m <sup>3</sup> (1.4 cu. yd.)
	Capacity, Struck, SAE	0.7 m <sup>3</sup> (0.9 cu. yd.)	0.9 m <sup>3</sup> (1.2 cu. yd.)
	Breakout Force, SAE J732C	5000 kg (11,023 lb.)	4580 kg (10,097 lb.)
	Tipping Load, Straight	3990 kg (8,796 lb.)	3860 kg (8,510 lb.)
	Tipping Load, Full Turn, SAE	3520 kg (7,760 lb.)	3410 kg (7,518 lb.)
	Rated Operating Load, 50% of Full-Turn Tipping Load (conforms to ISO 14397-1)*	1760 kg (3,880 lb.)	1705 kg (3,759 lb.)
<i>*Rated operating capacity based on Deere attachments only.</i>			
<b>Dimensions With Hook/Euro Quick-Coupler and GP Bucket With Bolt-On Edge</b>			
<b>L</b>	Overall Length, Bucket on Ground	5350 mm (17 ft. 7 in.)	5410 mm (17 ft. 9 in.)
<b>M</b>	Dump Clearance, 40-deg. Full Height	2620 mm (8 ft. 7 in.)	2570 mm (8 ft. 5 in.)
<b>N</b>	Reach, 40-deg. Dump, Full Height	801 mm (32 in.)	843 mm (33 in.)
<b>O</b>	Maximum Reach, 42-deg. Dump	1590 mm (5 ft. 3 in.)	1630 mm (5 ft. 4 in.)
<b>P</b>	Maximum Digging Depth	75 mm (3 in.)	75 mm (3 in.)
<b>Q</b>	Maximum Bucket Dump Angle, Fully Raised	42 deg.	42 deg.
<b>R</b>	Turning Circle Radius Over Outside of Bucket Edge	4310 mm (14 ft. 2 in.)	4465 mm (14 ft. 8 in.)
<b>Specifications With Hook/Euro Quick-Coupler and GP Bucket With Bolt-On Edge</b>			
	Capacity, Heaped, SAE	0.8 m <sup>3</sup> (1.1 cu. yd.)	1.1 m <sup>3</sup> (1.4 cu. yd.)
	Capacity, Struck, SAE	0.7 m <sup>3</sup> (0.9 cu. yd.)	0.9 m <sup>3</sup> (1.2 cu. yd.)
	Breakout Force, SAE J732C	6220 kg (13,713 lb.)	5810 kg (12,809 lb.)
	Tipping Load, Straight	4440 kg (9,789 lb.)	4300 kg (9,480 lb.)
	Tipping Load, Full Turn, SAE	3920 kg (8,642 lb.)	3800 kg (8,378 lb.)
	Rated Operating Load, 50% of Full-Turn Tipping Load (conforms to ISO 14397-1)*	1960 kg (4,321 lb.)	1900 kg (4,189 lb.)
<i>*Rated operating capacity based on Deere attachments only.</i>			

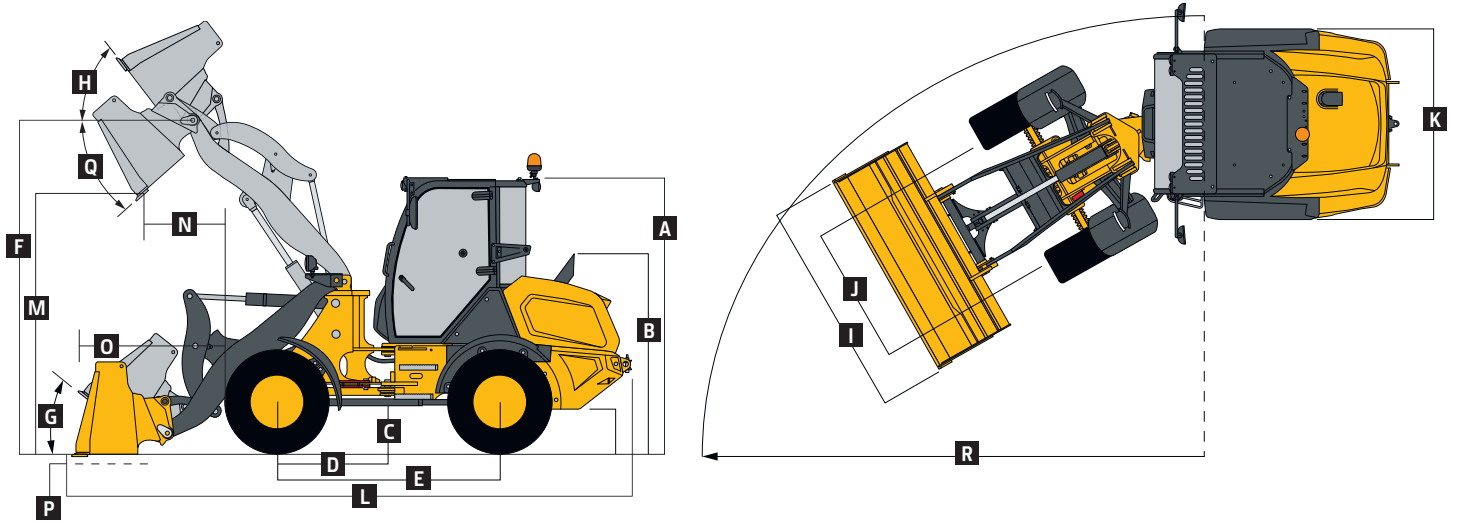


While general information, pictures, and descriptions are provided, some illustrations and text may include product options and accessories NOT AVAILABLE in all regions, and in some countries products and accessories may require modifications or additions to ensure compliance with the local regulations of those countries.

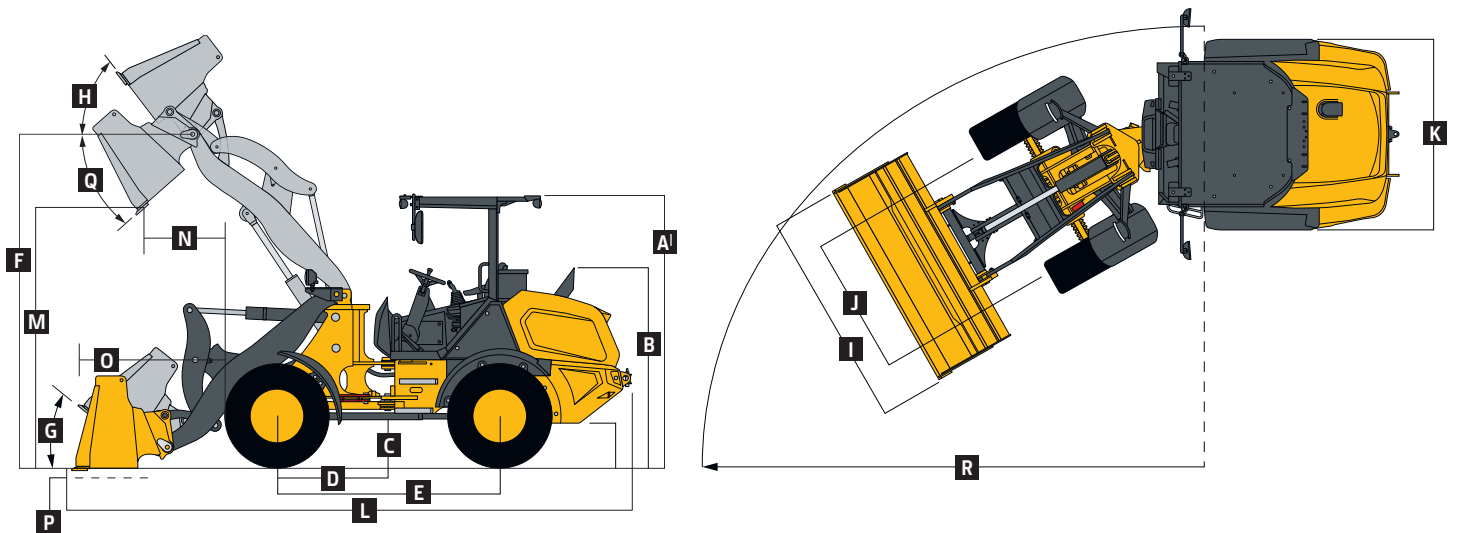
## Dimensions and Specifications With Quik-Tatch Coupler and Bucket OR With Hook/Euro Quick-Coupler and Bucket (continued)

304 G-TIER

### 304 G-TIER LOADER WITH CAB, QUIK-TATCH COUPLER OR HOOK/EURO QUICK-COUPLER, AND BUCKET



### 304 G-TIER LOADER WITH CANOPY, QUIK-TATCH COUPLER OR HOOK/EURO QUICK-COUPLER, AND BUCKET



# 304 G-TIER

While general information, pictures, and descriptions are provided, some illustrations and text may include product options and accessories NOT AVAILABLE in all regions, and in some countries products and accessories may require modifications or additions to ensure compliance with the local regulations of those countries.

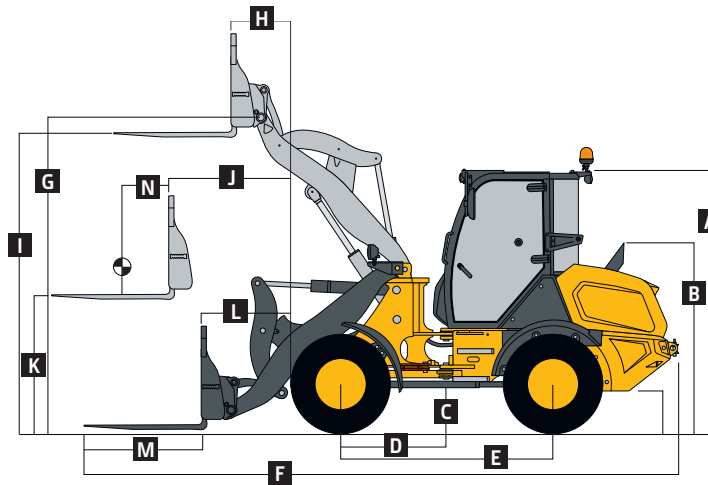
## Dimensions and Specifications With Quik-Tatch Coupler and Fork OR With Hook/Euro Quick-Coupler and Fork

### 304 G-TIER

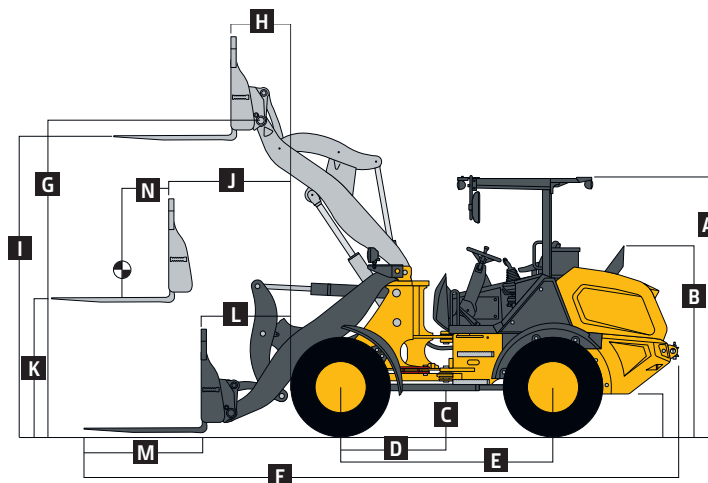
	Quik-Tatch Coupler and 1.2-m (48 in.) tine length	Quik-Tatch Coupler and 1.52-m (60 in.) tine length	Hook/Euro Quick-Coupler and 1.2-m (48 in.) tine length
<b>Dimensions With Fork</b>			
A	Height to Top of Cab	2634 mm (8 ft. 8 in.)	2634 mm (8 ft. 8 in.)
A'	Height to Top of Canopy	2610 mm (8 ft. 7 in.)	2610 mm (8 ft. 7 in.)
B	Height to Top of Exhaust	1890 mm (6 ft. 2 in.)	1890 mm (6 ft. 2 in.)
C	Ground Clearance	332 mm (13 in.)	332 mm (13 in.)
D	Length From Centerline to Front Axle	1070 mm (3 ft. 6 in.)	1070 mm (3 ft. 6 in.)
E	Wheelbase	2150 mm (7 ft. 1 in.)	2150 mm (7 ft. 1 in.)
F	Overall Length, Forks on Ground	6070 mm (19 ft. 11 in.)	6350 mm (20 ft. 10 in.)
G	Height to Hinge Pin, Fully Raised	3350 mm (11 ft. 0 in.)	3350 mm (11 ft. 0 in.)
H	Reach, Fully Raised	634 mm (25 in.)	634 mm (25 in.)
I	Fork Height, Fully Raised	3160 mm (10 ft. 4 in.)	3160 mm (10 ft. 4 in.)
J	Maximum Reach, Fork Level	1400 mm (4 ft. 7 in.)	1400 mm (4 ft. 7 in.)
K	Fork Height, Maximum Reach	1450 mm (4 ft. 9 in.)	1450 mm (4 ft. 9 in.)
L	Reach, Ground Level	930 mm (3 ft. 1 in.)	930 mm (3 ft. 1 in.)
M	Tine Length	1219 mm (48 in.)	1524 mm (60 in.)
N	Load Position, 50% Tine Length	600 mm (24 in.)	760 mm (30 in.)
<b>Specifications With Fork</b>			
<i>As measured with fork level, centered on tine</i>			
	Tipping Load, Straight	3180 kg (7,011 lb.)	3180 kg (7,011 lb.)
	Tipping Load, Full Turn, SAE	2800 kg (6,173 lb.)	2800 kg (6,173 lb.)
	Rated Operating Load, 50% Full-Turn Tipping Load (conforms to SAE J1197 / ISO 14397-1)*	1400 kg (3,086 lb.) <sup>†</sup>	1400 kg (3,086 lb.) <sup>†</sup>
	Rated Operating Load, Rough Terrain, 60% Full-Turn Tipping Load (conforms to EN474-3)*	1680 kg (3,704 lb.) <sup>†</sup>	1680 kg (3,704 lb.) <sup>†</sup>
	Rated Operating Load, Firm and Level Ground, 80% Full-Turn Tipping Load (conforms to EN474-3)*	2240 kg (4,938 lb.) <sup>†</sup>	2240 kg (4,938 lb.) <sup>†</sup>

\*Rated operating capacity based on Deere attachments only. / <sup>†</sup>Payload on forks is limited by tilt cylinder.

### 304 G-TIER LOADER WITH CAB, QUIK-TATCH COUPLER OR HOOK/EURO QUICK-COUPLER, AND FORK



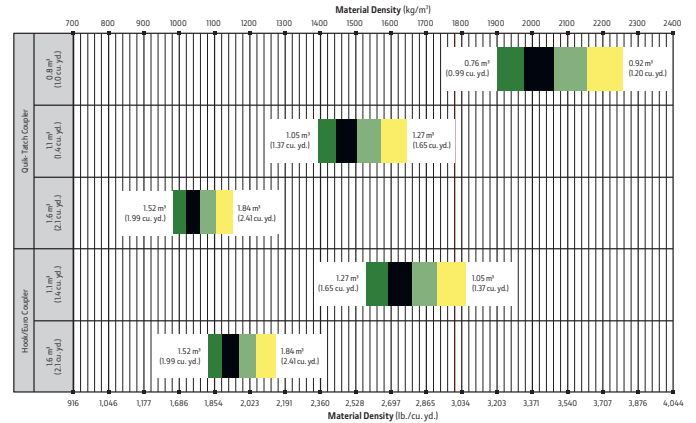
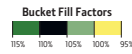
### 304 G-TIER LOADER WITH CANOPY, QUIK-TATCH COUPLER OR HOOK/EURO QUICK-COUPLER, AND FORK



While general information, pictures, and descriptions are provided, some illustrations and text may include product options and accessories NOT AVAILABLE in all regions, and in some countries products and accessories may require modifications or additions to ensure compliance with the local regulations of those countries.

## Bucket Selection Guide\*

LOOSE MATERIALS		kg/m <sup>3</sup>	lb./cu. yd.	LOOSE MATERIALS		kg/m <sup>3</sup>	lb./cu. yd.
Chips, pulpwood	288	486	Limestone, coarse, sized	1570	2,646		
Cinders (coal, ashes, clinkers)	673	1,134	Limestone, mixed sizes	1682	2,835		
Clay and gravel, dry	1622	2,700	Limestone, pulverized or crushed	1962	2,295		
Clay, compact, solid	1746	2,943	Sand, damp	2083	3,510		
Clay, dry in lump loose	1009	1,701	Sand, dry	1762	2,970		
Clay, excavated in water	1382	2,360	Sand, voids, full of water	2083	3,510		
Coal, anthracite, broken, loose	865	1,458	Sandstone, quarried	1314	2,214		
Coal, bituminous, moderately wet	801	1,350	Shale, broken crushed	1962	2,295		
Earth, common loess, dry	1318	2,252	Slag, furnace-granulated	1935	3,294		
Earth, mud, packed	1843	3,105	Stone or gravel, 37.5 to 87.5-mm	1442	2,430		
Granite, broken	538	2,592	(1.5 to 3.5 in.) size	1602	2,700		
Gypsum	2275	3,834	Stone or gravel, 80.75-mm (0.75 in.) size				



# Additional equipment

Key: ● Standard ▲ Optional or special  
See your John Deere dealer for further information.

- ### 304 G Engine
- Antifreeze, -37 deg. C (-34 deg. F)
  - Coolant recovery tank
  - Fan safety guard
  - Fan, sucker type, direct drive
  - Under-hood aftertreatment (including diesel oxidation catalyst and diesel particulate filter)
  - Environmentally friendly engine oil drain
  - Engine oil cooler
  - Quick-release fuel filter and water separator
  - Automatic engine glow plugs for cold start
  - ▲ Engine coolant heater, 1,000 watts, 110 volts
- ### Electrical
- Starter switch with electric fuel cutoff
  - 12-volt system
  - Electrical load center: Blade-type fuses
  - Standard battery (1), 12 volt with 830 CCA
  - Master electrical disconnect switch
  - Alternator, 12 volts, 80 amps
  - Horn (conforms to SAE J994 / J1446)
  - Lights (conform to SAE 99): Driving / Turn signals / Flashers / Stop / Taillights
  - Worklights, front (2)
  - Worklights, rear (2)
  - Reverse warning alarm (conforms to SAE J994 / J1446)
  - Multifunction monitor with audible and visual warnings: Engine coolant temperature and hydraulic oil temperature / Gauge: Fuel / Visual indicators: Air-filter restriction, low voltage, coolant temperature, engine oil pressure, engine preheat, engine rpm, hydraulic bucket return-to-dig control, hydraulic oil temperature, lights high beam, park brake, turn signals, fuel-level gauge, and hour meter

- ### 304 G Electrical (continued)
- Indicator lights: Engine air filter / Battery voltage / Parking brake actuated / Forward/reverse travel / 1st- or 2nd-speed range / Turn signal and hazard lights / High-beam driving lights
  - Radio-ready cab, fus\*d 12-volt radio electrical lead and speakers, power port
  - Pre-wired for roof beacon
- ### Powertrain/Brakes
- Hydrostatic (HST) transmission: Electric shift control / Single-lever joystick F-N-R / Hydrostatic oil cooler / Inching pedal / 2 speeds forward and reverse / Infinitely variable speed control
  - Parking brake, spring applied, hydraulically released, switch operated
  - 45% limited-slip front and rear differentials
- ### Hydraulic System
- Hydraulic system oil cooler
  - Float detent
  - Reservoir sight gauge
  - Fine-micron hydraulic filters, vertical mounting
  - Hydraulic function lockout
  - 3-function hydraulic valve with electro-hydraulic push-button 3rd-function control
  - Quick-coupler diagnostic ports: Priority pressure / Hydraulic pump pressure / Control valve pressure / HST pressure
- ### Operator's Station
- ▲ Cab (conforms to SAE J1040, SAE J231, ISO 3471, and ISO 3449): Air conditioner/heater/defroster / Tilt steering / Inside mirror
  - Canopy
  - Storage compartment for operator's manual and other items
  - Rubber floor mat
  - Rearview mirrors, outside (2)

- ### 304 G Operator's Station (continued)
- Handholds and steps, ergonomically located and slip resistant (conform to SAE J185)
- ### Loader Linkage
- Z-bar loader linkage provides high bucket breakout
  - Loader boom service locking bar (conforms to SAE J38)
- ### Buckets and Attachments
- ▲ Full line of buckets with selection of bolt-on cutting edges
  - ▲ Electrically actuated quick-coupler with flags
  - ▲ Full line of construction utility forks, pallet forks, and other attachments\*
  - ▲ ISO parallel-pin hydraulically actuated coupler
- ### Tires
- 405/70R20 Mitas EM-01
  - ▲ 400/70R20 Michelin XMCL
  - ▲ 405/70R18 Firestone Duraforce
  - ▲ 400/70R20 Nokian Hakkapeliitta Tri
- ### Other
- Fenders, front and rear
  - Articulation locking bar (conforms to SAE J276)
  - Vandal protection, includes lockable engine enclosure
  - Counterweight, saddle-type, built-in
  - Rear bottom guard, built-in
  - Drawbar, with locking pin
  - Lift eyes
  - Tie-downs
  - ▲ Fire extinguisher
  - ▲ Material-weighing system†
  - ▲ Ride control
  - ▲ Creep control
  - ▲ JDLink™ wireless communication system (available in specific countries; see your dealer for details)

\*See your John Deere dealer for further information.  
†Contact LOAD-RITE™.

While general information, pictures, and descriptions are provided, some illustrations and text may include product options and accessories NOT AVAILABLE in all regions, and in some countries products and accessories may require modifications or additions to ensure compliance with the local regulations of those countries.

Net engine power is with standard equipment including air cleaner, exhaust system, alternator, and cooling fan, at test conditions specified per ISO 9249. No derating is required up to 3000-m (10,000 ft.) altitude. Specifications and design subject to change without notice. Wherever applicable, specifications are in accordance with SAE standards. Except where otherwise noted, these specifications are based on units with all standard equipment, ROPS cab, standard rear counterweight, 405/70R20 tires, full fuel tank, and 79-kg (175 lb.) operator.



MW304GAU (22-10)



**JOHN DEERE**