

TRACK FELLER BUNCHERS

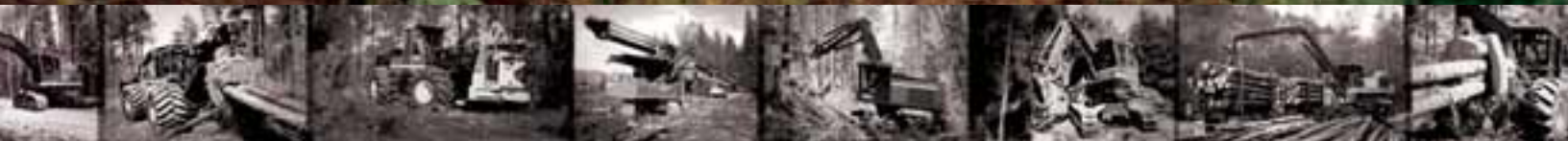
703G 753G 759G

FULL TREE SYSTEM

HARVESTING

TRANSPORTING

LOADING



COMPACT MACHINE, SUPER-SIZED PRODUCTIVITY.



FULL TREE SYSTEM

HARVESTING

TRANSPORTING

LOADING



Full Tree System—No one offers the extensive product line, dealer network and tough, purpose-built machines of John Deere.

From the compact yet mighty 703G to the next generation, Shift-Tilt™-empowered 759G, these productive forestry machines can make a big difference in your operation. They're easy to move from site to site. They have a soft footprint that's gentle on the land, yet offer an excellent tractive-effort-to-weight ratio for soggy conditions. They feature powerful new upgrades that increase productivity, reliability and lower your daily operating costs. Add in productivity-boosting options like an electrically controlled reversible fan to blow out debris, and a choice of undercarriages, including the Shift-Tilt leveling system. It's a compact package with productivity to spare.

Go-anywhere mobility. Big-tree strength. There's no better choice for final felling or selective cutting than the 700 Series Feller Bunchers from John Deere.



	703G	753G	759G
John Deere 6081H Engine Power	181 gross hp (135 kW)	241 gross hp (180 kW)	241 gross hp (180 kW)
Feller Buncher Reach w/FS20 Saw	23 ft 6 in 7.17 m	25 ft 8 in 7.8 m	23 ft 3 in 7.10 m Cab levels to 27 degrees
Standard Operating Weight w/FS20 Head	47,360 lb 21 479 kg	52,955 lb 24 016 kg	62,200 lb 28 213 kg
Tractive Effort	43,193 lbf 192 kN	53,550 lbf 238 kN	53,550 lbf 238 kN

PRODUCTIVITY | UPTIME | LOW DAILY OPERATING COSTS

HOW ARE THEY BETTER? LET'S CUT

TRACK FELLER BUNCHERS

703G 753G 759G

Electronically controlled, fuel-injected John Deere Tier II 6081H engine delivers power-on-demand for higher torque at lower rpms, with lower fuel consumption, too.

High-capacity, speed-sensing hydraulic system offers multi-function performance to speed up the job.

360° continuous rotation on the 759G offers no limit stops and no hose unwinding, letting your operator focus on production, and placing bunches for easiest removal.

Purpose-built, incredibly durable, high-tractive effort undercarriages offer high ground clearance, and open car body design for less snow and debris accumulation.

TO THE CHASE.



The long reaching, powerful boom set lets you move faster with small bunches, or more powerfully with big wood, whichever your conditions demand.

Tall and wide, this cab is isolated and rubber mounted for reduced sound levels, with HVAC option for improved air flow, removable skylight, and improved sightline to gauges.

Shift-Tilt™ technology on the 759G provides four-way leveling—the industry's most stable platform for cutting on difficult slopes.

Large tapered roller bearings and linkage cut from solid-stock—industry-leading levels of reliability and durability.

PRODUCTIVITY, INSIDE AND OUT.

From engine to cab to undercarriage, you'll get more done, more quickly with the next generation of Feller Bunchers from John Deere.





It all starts with the turbocharged diesel John Deere Tier II 6081H engine that generates more power than most compact machines. This powerhouse delivers steeper torque rise, producing 5% more horsepower at 2,000 rpm, and 5% more torque than engines used in previous models. It's quieter, too, with isolation mounting and low restriction mufflers.

Deluxe fully adjustable suspension seat features arm rest joysticks and low-effort controls.

Storage behind the seat and in the door.

Tinted polycarbonate windows with removable skylight enhance operator visibility for greater productivity.

Five twin-power quartz halogen lights keep the work area light at night.

Five track shoe options available in sizes up to 36-in (914 mm) high floatation.



The cab is among the most spacious in its class. Wide and tall, with plenty of room to work quickly and comfortably. Lots of cab windows display the entire work area, giving operators a clear site line. Backlit gauges make it easy to view engine coolant temp, fuel levels, hydraulic oil temperatures, tachometer and more.

The cab has isolation mountings to reduce noise and vibration for a more comfortable operating environment. For added productivity, try the 759G with Shift-Tilt™, which allows the upper structure to shift a full three feet forward, keeping center of gravity over the tracks. Its four-way leveling lets operators be more productive in extreme terrain conditions.

MORE UPTIME THAN EVER. FOR THOSE WHO CAN NEVER GET ENOUGH OF A GOOD THING.

Smarter designs and stronger materials. That's what reliability is made of.

The next generation feller bunchers are designed to last longer and keep you on the job like never before. The engine delivers more at lower rpms for less fuel consumption. Direct cooling also helps John Deere engines last longer by keeping the top of the liner and cylinder head cooler. It also runs cleaner with a filtered air intake and exhaust cooling.

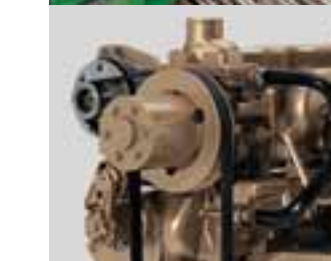
Outside the engine compartment you'll find tough-as-nails structural components including a new oversized, purpose-built forestry undercarriage. Backed by unprecedented John Deere maintenance and parts programs, and a world-class dealer network, it's enough to keep you and your machine in the woods, and productive.

Purpose-built forestry undercarriage for high ground clearance, and ramp angle for excellent mobility.

Shift-Tilt™ mechanism provides unprecedented uptime thanks to the introduction of heavy-duty, solid-block components and the elimination of high-maintenance parts.

A full cooling package designed to meet extreme conditions extends machine life. The hinged door access and prescreen protects your cooling package and keeps it operating at optimum.

The John Deere turbocharged 6081H diesel engine block features heavy-duty, high-capacity oil and water pumps, and cylinder liners are hardened and replaceable.





The 759G includes many uptime-focused features. An innovative rotary manifold with extended life seal design and sensors that are guarded to protect from “jill pokes” and debris.

703G

TRACK FELLER BUNCHERS

703G 753G 759G



SMALL FOOTPRINT. BIG IMPACT ON YOUR PRODUCTIVITY.

With its compact size, 181 hp (135 kW) engine and power boom set, the 703G is a machine you can build a business on.



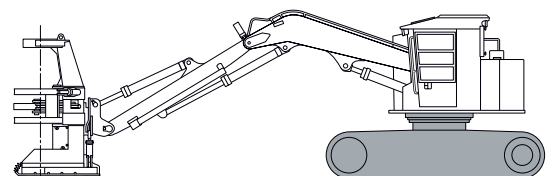
Optimized boom design has a reach of 23-ft 6-in equipped with the FS20 high-accumulation head.

Strong recoil assemblies maintain track tension. Tracks are fully protected with forestry-tough purpose-built track guarding.

Heavy-duty high-walker undercarriage offers 30-in (762 mm) ground clearance. It's built to last with eight oversize tractor rollers on each side and track drive motors with integral disc brakes.

Whether final or selective cutting, the 703G is “heads” above the competition. For selective cutting, its almost zero-tail-swing over the back allows you to weave your way into dense stands and still have room for boom maneuverability. For big bunches of small stems or large timber, the 703G has lots of power and hydraulic strength to handle the load. The powerful boom set and sturdy lift capacity at full reach are all designed to keep you in the field, and keep your business in the black.

Add in a soft footprint and a high-walker undercarriage, and you've got go-anywhere mobility combined with high reliability. The result? Your feller buncher can set the pace for your skidder and your loader, and make your system work for you.



753G

TRACK FELLER BUNCHERS

703G 753G 759G



THIS IS ONE TIME WHEN IT'S OK TO LET POWER GO TO YOUR HEAD.

When your operation needs more power, step into a fast-cutting, big-tree-capable 753G.

Some loggers need a little more. More power. More tractive effort. More stability. For those job sites, we built the 753G. For good precision cuts, it features almost zero-tail-swing over the rear with only 10-in (250 mm) over the side on standard tracks. For large wood and heavy bunches, we've added a 241 hp (180 kW) powerhouse which adds phenomenal power and strength.

Load-sensing hydraulics and innovative valve design allow you to easily handle more than one function at a time. Add in a long reach, a powerful boom set, go-anywhere mobility, and a superior power-to-weight ratio, and you get huge performance from a compact machine. It's one power trip you can afford to go on.



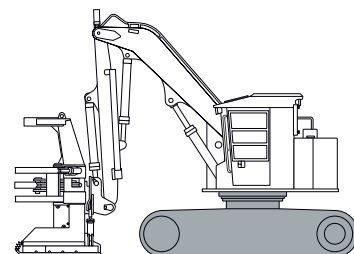
With its large footprint and low center of gravity, the 753G offers incredible stability and low ground pressure from “roll-up.”

The 753G uses a final drive reduction ratio and high-range lock-out to give 24% more tractive effort than the 703G.

This machine delivers all the power you’ll need—241 hp (180 kW).

The undercarriage features an extra-heavy-duty welded car body with double-flange tractor rollers to handle greater weight applications and a wider stance than the competition.

30-in (740 mm) ground clearance offers great mobility over tough conditions.



759G

TRACK FELLER BUNCHERS

703G 753G 759G



MAKE ELEVATION MAPS OBSOLETE.

With a redesigned Shift-Tilt™ mechanism and powerful performance, the 759G is tough, dependable, and able to go just about anywhere.

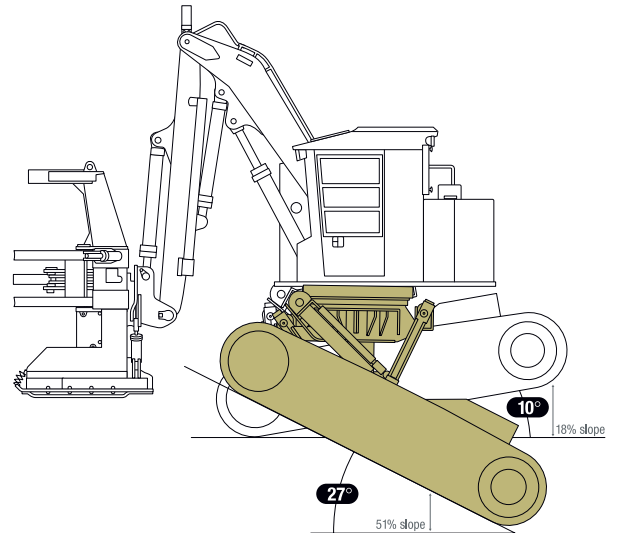
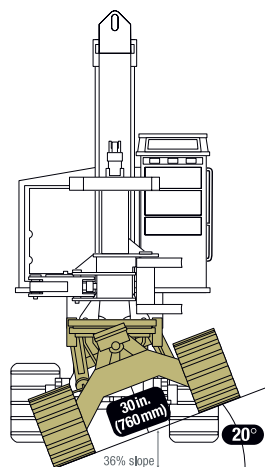
Talk about leveling the playing field. The new 759G keeps all the benefits of 753G—compact upper/almost zero-tail-swing over the rear, 241 hp (180 kW) engine, same tractive effort—but combines it all with a unique, four-way Shift-Tilt leveling system for steep slope applications. This leveling system tilts 27° forward (51% slope), 20° side-to-side (36% slope) and 10° rear (18% slope) for optimal leverage.

The new 759G also features 360° continuous rotation, so the operator can focus on production with no limit stops or hose tangles, and place bunches for easiest removal by the skidders.

It's a machine that goes full-tilt, using gravity to its advantage with same full-reach lift capacity of level ground machines. All of which makes elevation maps seem a little unnecessary.



- Tilt links and main pivot cut from solid-block steel and large high-load-capacity tapered roller bearings are used for optimum component life.
- Shift-Tilt's patented four-bar linkage system uses unequal length front and rear links. As the twin leveling cylinders extend, the upper tilts and moves forward on a horizontal line, shifting the center of gravity forward over the tracks. This four-way tilting system allows the greatest working reach and lift capacity in any direction.
- While most machines claim to have good lift, it is often quoted at bare pin without an attachment. The 759G, armed with any optional attachment, offers excellent lift throughout the cutting swath.
- For easier maintenance and longer life, front and rear undercarriage links are equipped with slack adjusters, eliminating the need to constantly re-shim.





KEEP COSTS LOW AND SERVICE EASY WITH AN OPEN DOOR POLICY.

When daily service is easy to do, it gets done more often. To that end, we've designed this line of feller bunchers to be the most accessible in its class, with main service points all on one side, ground-level greasing points, and bulkhead connections for harnesses and hoses that make maintenance easier.

Components are designed to require less daily maintenance. And to lower costs, the full line of track feller bunchers all feature an electronically controlled fuel-injected engine that delivers lower fuel consumption—2.6% less at 2,000 rpm. It's a combination of low fuel and fluids consumption and fast, easy servicing that keeps your operating costs down, and your machines up and running.



- Hydraulically opened engine enclosure makes scheduled servicing and debris cleanout faster and easier with work platform access.
- Movable steps make daily maintenance convenient and fast.
- Wide-open service access.
- Optional electrically operated reversible fan purges debris from coolers for longer engine life and more efficient operation.
- Deflectors on top of cab and at the back of the main boom stop debris build-up.

Rest assured that your purpose-built John Deere equipment is supported by the most extensive dealer network in the industry, with unsurpassed parts availability. That's our promise.



GREAT MACHINES DESERVE A HEAD TO MATCH.

Just as important as the machine is the head you attach to it. John Deere feller bunchers feature a standard FS20 high-speed, high-accumulation, side-pocket felling head. Or, the 703G and 753G can be equipped with the FS22

center-pocket felling head. Both have 22-in (560 mm) cutting capacity and a high-torque 15-degree wrist system. For more productivity, try the FG18 high-rotation head with 220-degree wrist rotation and 21.5-in (546 mm) cutting capacity.



The FS20 is unmatched for high accumulation. The single accumulator arm and two-tined harvesting arm quickly gather large bunches in the big side pocket. The FS20's wide throat opening allows fast, accurate positioning and there's no side discharge assembly to interfere. The side pocket design leaves a wide-open view of the cutting area down to the ground, so the operator's view for felling is unobstructed down to the last tree in the cycle.



With its center pocket and massively tall single tower and horn, the FS22 gives the greatest control of tall, heavy trees. Two fully synchronized, non-folding harvesting arms and two folding accumulating arms hold larger trees firmly in place. All this means more control of the load and less breakage of valuable harvests.



The FG18 high-rotation disc saw has a full 220-degree rotation. Available only with the optional long-reach boom, it allows the operator to cut more wood from one position and use the rotation to stack bigger bunches from two cutting paths into one skidder trail. This allows the skidder to take a full load from one bunch instead of two or three smaller bunches for faster cycle times with less ground disturbance.

OPERATOR'S STATION

Air conditioner (R134a refrigerant)
 Fire extinguisher, 10 lb 4,5 kg
 Floor mat
 Forestry cab with integral ROPS, FOPS and OPS protective structures
 Gauges, with backlighting: Engine coolant temperature / Fuel level / Hourmeter / Hydraulic oil temperature / Tachometer
 Gauge Diagnostics for: % Engine load / Engine oil pressure / Fuel consumption / Active and stored service codes / plus many more
 Rotary throttle control
 Headliner
 Heater, 40,000 BTU
 Horn system warning for: High hydraulic oil temperature plus all major engine faults
 Indicator light display module: Hydraulic filter restriction / Hydraulic oil reservoir level / Alternator charge / Low pump inlet pressure / Intake restriction
 12V power point
 Interior light
 Lockable cab door
 Low-effort pilot-operated controls
 Operator manual storage
 Reverse-slope front window
 Seat armrest height adjustment
 Seat backrest angle adjustment
 Seat belt, 3-in 76 mm wide
 Seat, fabric-covered, deluxe knee-action suspension
 Seat, independent adjustments to control levers and propel pedals
 Seat suspension weight adjustment
 Secondary exits (rear cab and treetop windows)
 Tinted polycarbonate windows
 Treetop window

STANDARD EQUIPMENT

Engine

John Deere 6081H, Tier II emissions certified, turbocharged, 6 cylinder
 Air filters, dual stage, dry type, aspirated
 Antifreeze
 Electric fuel shutoff
 Engine compartment service lights (3)
 Fuel filters, dual stage with water separator

STANDARD EQUIPMENT (CONTINUED)

Isolation-mounted engine
 Muffler, low restriction
 Oil drain shutoff for spill-free oil changes
 Oil filter, full flow, top load element type
 Oil-to-water engine oil cooler, full flow with bypass
 Spill-free fuel filter change
 Suction-type cooling fan, enclosed with guard

Hydraulic System

Adaptable to: Continuous disc saws
 Fill-through hand pump with filter
 Hydraulic filter restriction indicator light
 Hydraulic reservoir low oil level indicator light
 Oil cooler, heavy-duty

Undercarriage

Heavy-duty one-piece purpose-built forestry undercarriage frame
 Propel drives: Fully enclosed propel-drive motors / Motion warning alarm / Planetary type with sealed, wet multi-disc brakes / Two speed, operator selectable
 Tow hooks, front and rear (703G, 753G only)
 Track chain, 7.48-in 190 mm pitch, heavy-duty
 Track guides, full length, integral
 Track shoes, 24-in 610 mm double-bar grouser, heavy-duty, open center (703G, 753G only)
 Toolbox (759G only)

Upperstructure

Hydraulically operated enclosure
 Integral forestry guarding
 Lockable: Fuel cap / Hydraulic reservoir

Front

Heavy-duty box-constructed boom and arm
 Purpose-built, specialized geometry for maximum cutting sweep
 Remote lubrication for boom-to-arm pin
 Sealed pins and bushings

Electrical

24-volt
 24- to 12-volt converter
 Alternator, 80 amp
 Battery disconnect, automatic
 Dual, heavy-duty, low-maintenance batteries
 Work lights (8) twin-power halogen lights

Felling Head

FS20 22-in 560 mm continuous disc saw, swing-to-tree

OPTIONAL EQUIPMENT

Engine

Reversing fan system

Hydraulic System

Adaptable to: Accumulating bar saws / Directional bar saws / Harvesting / Processing heads
 Hydraulic reservoir heater

Undercarriage

Track shoes, 24-in 610 mm single-bar grouser, clipped corner, heavy-duty, open center (703G, 753G only)
 Track shoes, 28-in 711 mm single-bar grouser, clipped corner, heavy-duty, open center (753G, 759G only)
 Track shoes, 30-in 760 mm double-bar grouser, heavy-duty, open center (703G, 753G only)
 Track shoes, 36-in 914 mm triple-bar grouser, heavy-duty, open center (703G, 753G only)
 Top rollers in lieu of slides (required for 36-in 914 mm shoes on 703G and 753G)

Upperstructure

Automatic fire-suppression system
 Counterweight, 2,000 lb 907 kg (703G, 753G only)

Front

Long boom (753G only)

Felling Head

FG18 22-in 560 mm continuous disc saw, 220-degree rotation wrist, swing-to-tree, available only with optional boom set
 FS22 22-in 560 mm continuous disc saw, swing-to-tree, available only with optional boom set (703G, 753G only)
 Abrasion-resistant material

Specifications and design subject to change without notice and without incurring any obligation to make such changes on machines manufactured previously. Wherever possible, specifications are in accordance with SAE standards. Except where otherwise noted, these specifications are based on the machines with standard equipment. Some items shown are optional and may not be available in all markets. Errors and omissions excepted.

Photos may show features or options not available in all markets.

TECHNICAL DATA 703G 753G 759G

ENGINE	703G	753G	759G
Type	Standard John Deere 6081H, Tier II emissions certified, turbocharged	Standard John Deere 6081H, Tier II emissions certified, turbocharged	Standard John Deere 6081H, Tier II emissions certified, turbocharged
Rated Power @ 2,000 rpm	181 SAE gross hp 135 kW	241 SAE gross hp 180 kW	241 SAE gross hp 180 kW
Cylinders	6	6	6
Displacement	492 cu-in 8,1 L	492 cu-in 8,1 L	492 cu-in 8,1 L
Maximum Net Torque @ 1,400 rpm	678 lbf 920 Nm	907 lbf 1230 Nm	907 lbf 1230 Nm
Air Cleaner	Two-stage, aspirated with safety element	Two-stage, aspirated with safety element	Two-stage, aspirated with safety element
Cooling System	Heavy-duty radiator	Heavy-duty radiator	Heavy-duty radiator
Cooling Fan	Suction Type	Suction type	Suction type
Electrical System	24-volt with 80-amp alternator	24-volt with 80-amp alternator	24-volt with 80-amp alternator
Batteries (Two 12 Volt)	950 cold cranking amps, 185 min reserve each	950 cold cranking amps, 185 min reserve each	950 cold cranking amps, 185 min reserve each

HYDRAULIC SYSTEM	703G	753G	759G
Main Pumps	Two variable-displacement axial pistons	Two variable-displacement axial pistons	Two variable-displacement axial pistons
Maximum Rated Flow	2 x 40 gpm 2 x 151 L/min	2 x 40 gpm 2 x 151 L/min	2 x 40 gpm 2 x 151 L/min
Continuous Saw Pump	One variable-displacement axial piston pump	One variable-displacement axial piston pump	One variable-displacement axial piston pump
Maximum Rated Flow	1 x 22.6 gpm 1 x 86 L/min	1 x 22.6 gpm 1 x 86 L/min	1 x 22.6 gpm 1 x 86 L/min
Attachment Pump (Clamps and Wrist)	1 x 27.6 gpm 1 x 104 L/min	1 x 27.6 gpm 1 x 104 L/min	1 x 27.6 gpm 1 x 104 L/min
Oil Filtration	Two five-micron return filters with bypass	Two five-micron return filters with bypass	Two five-micron return filters with bypass

FELLING HEAD INFORMATION	703G	753G	759G
Continuous-Type Disc Saw			
FS20 Disc Saw – High Accumulation, 22-in 560 mm Cutting Capacity	5,510 lb 2499 kg	5,510 lb 2499 kg	5,510 lb 2499 kg
FS22 Disc Saw– 22-in 560 mm Cutting Capacity	6,980 lb 3165 kg*	6,980 lb 3165 kg*	
FG18 Disc Saw – 21.5-in 546 mm Cutting Capacity 220-degree Wrist Rotation	5,950 lb 2700 kg*	5,950 lb 2700 kg*	5,950 lb 2700 kg*

*Only Available With Optional Boom Set.

Contact your John Deere dealer for information on authorized installations of harvesting/processing, accumulating bar-type and directional bar-type saws.

CYLINDERS	703G			753G			759G		
	Bore	Rod Diameter	Stroke	Bore	Rod Diameter	Stroke	Bore	Rod Diameter	Stroke
Boom (1)	6 in 152 mm	3.5 in 89 mm	44.5 in 1130 mm	6 in 152 mm	3.5 in 89 mm	44.5 in 1130 mm	6 in 152 mm	3.5 in 89 mm	44.5 in 1130 mm
Head Tilt (Standard Boom)	5 in 127 mm	3.0 in 76 mm	40. in 1029 mm	5 in 127 mm	3.0 in 76 mm	40.5 in 1029 mm	5 in 127 mm	3.0 in 76 mm	40.5 in 1029 mm
Head Tilt (Optional Boom For FG18 Felling Head Only)	5 in 127 mm	3.0 in 76 mm	44.5 in 1130 mm	5 in 127 mm	3.0 in 76 mm	44.5 in 1130 mm	5 in 127 mm	3.0 in 76 mm	44.5 in 1130 mm
Arm	5 in 127 mm	3.0 in 76 mm	40.5 in 1029 mm	5 in 127 mm	3.0 in 76 mm	40.5 in 1029 mm	5 in 127 mm	3.0 in 76 mm	40.5 in 1029 mm
Cab Leveling							7 in 178 mm	4.0 in 102 mm	31.25 in 79 mm

SWING MECHANISM	703G	753G	759G
Rotation	Continuous 360 degrees	Continuous 360 degrees	Continuous 360 degrees
Swing Speed	6.1 rpm (maximum)	6.1 rpm (maximum)	6.1 rpm (maximum)
Swing Brake	Sealed wet multi-disc	Sealed wet multi-disc	Sealed wet mult

UNDERCARRIAGE

	703G	753G	759G
Track Chain Pitch	7.48-in 190 mm	8.0-in 203 mm	8.0-in 203 mm
Carrier Slides (Per Side)	Two bolt-on	Two bolt-on	Two bolt-on
Track Rollers (Per Side)	8	8	8
Track Guides	Integral	Integral	Integral
Track Adjustment	Hydraulic	Hydraulic	Hydraulic
Travel Speed, Forward And Reverse			
High	0–3.0 mph 0–4,8 kph	0–2.5 mph 0–4,0 kph	0–2.5 mph 0–4,0 kph
Low	0–1.5 mph 0–2,4 kph	0–1.1 mph 0–1,8 kph	0–1.1 mph 0–1,8 kph
Travel Brakes	Sealed, wet multi-disc; automatic application; Integral with track drive gear boxes	Sealed, wet multi-disc; automatic application; Integral with track drive gear boxes	Sealed, wet multi-disc; automatic application; Integral with track drive gear boxes
Tractive Effort	43,193 lb 192 kN	53,550 lb 238 kN	53,550 lb 238 kN

GROUND PRESSURE DATA

	703G	753G	759G
Double Grouser, Heavy-Duty 24 in 610 mm	7.1 psi 49 kPa	7.4 psi 51 kPa	8.4 psi 58 kPa
Single Grouser, Clipped Corner, Heavy-Duty 24 in 610 mm	7.0 psi 48 kPa	7.3 psi 50 kPa	8.3 psi 57 kPa
28 in 711 mm		6.4 psi 44 kPa	7.2 psi 50 kPa
Double Grouser, Heavy-Duty 30 in 760 mm	5.8 psi 40 kPa	6.0 psi 42 kPa	
Triple Grouser, Heavy-Duty 36 in 914 mm*	4.9 psi 34 kPa	5.2 psi 36 kPa	

*Recommended for soft terrain only.

CAPACITIES

	703G	753G	759G
Fuel Tank	154 gal 584 L	154 gal 584 L	154 gal 584 L
Cooling System	10.2 gal 38,5 L	10.2 gal 38,5 L	10.2 gal 38,5 L
Engine Lubrication, Including Filter	29.5 qt 28 L	29.5 qt 28 L	29.5 qt 28 L
Hydraulic Reservoir Capacity	52 gal 197 L	52 gal 197 L	52 gal 197 L
Swing Gear Box	4.6 qt 4,5 L	4.6 qt 4,5 L	4.6 qt 4,5 L
Track Drive Gear Box (Each)	5.0 qt 4,8 L	5.0 qt 4,8 L	5.0 qt 4,8 L

OPERATING WEIGHTS

	703G	753G	759G
Standard Equipment, With FS20 Felling Head, 24-in (610 mm) Track Shoes	47,360 lb 21 479 kg	52,955 lb 24 016 kg	62,200 lb 28 086 kg
Counterweight (Optional)	2,000 lb 907 kg	2,000 lb 907 kg	

OPERATING INFORMATION

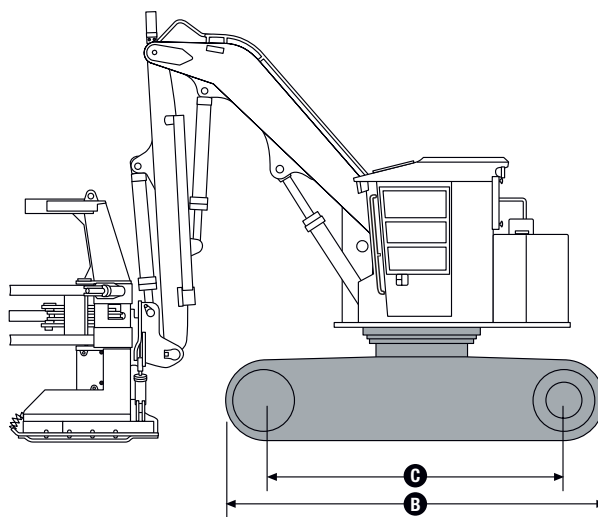
	703G			753G			759G	
	FS20	FS22	FG18	FS20	FS22	FG18	FS20	FG18
Maximum Cutting Radius	25 ft 8 in 7,80 m	23 ft 6 in 7,17 m	23 ft 9 in 7,24 m	25 ft 8 in 7,80 m	23 ft 6 in 7,17 m	23 ft 9 in 7,24 m	23 ft 3 in 7,10 m	23 ft 9 in 7,24 m
Minimum Cutting Radius @ 6 Degrees Forward Head Tilt	15 ft 3 in 4,65 m	11 ft 9 in 3,58 m	11 ft 11 in 3,63 m	15 ft 3 in 4,65 m	11 ft 9 in 3,58 m	11 ft 11 in 3,63 m	12 ft 7 in 3,80 m	11 ft 11 in 3,63 m
Cutting Sweep	10 ft 5 in 3,15 m	11 ft 7 in 3,53 m	11 ft 10 in 3,61 m	10 ft 5 in 3,15 m	11 ft 7 in 3,53 m	11 ft 10 in 3,61 m	10 ft 6 in 3,30 m	11 ft 10 in 3,61 m
Tail Swing Over Idler	0 in 0 mm	0 in 0 mm	0 in 0 mm	0 in 0 mm	0 in 0 mm	0 in 0 mm	0 in 0 mm	0 in 0 mm
Over Side With 24-in 610 mm Track Shoes	10 in 250 mm	10 in 250 mm	10 in 250 mm	10 in 250 mm	10 in 250 mm	10 in 250 mm	12 in 310 mm	10 in 250 mm
Lift Capacity With Felling Head (At Maximum Reach)	2,900 lb 1315 kg	2,180 lb 990 kg	2,700 lb 1220 kg	2,900 lb 1315 kg	2,180 lb 990 kg	2,700 lb 1220 kg	3,366 lb 1527 kg	2,700 lb 1220 kg

JOHN DEERE 703G AND 753G FELLER BUNCHERS

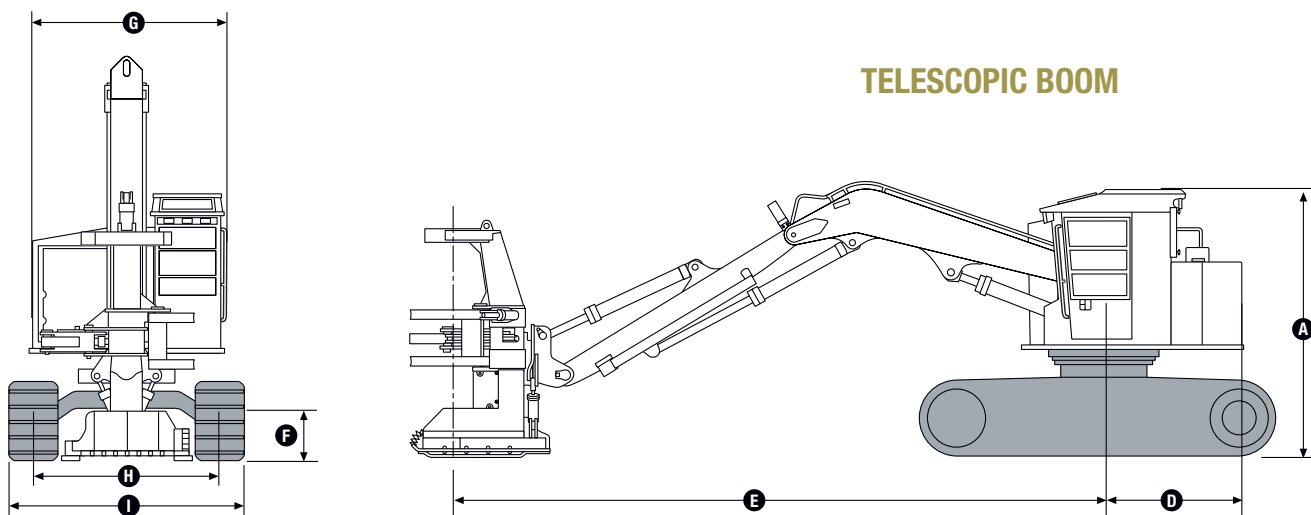
DIMENSIONS	703G	753G
A Overall Height	11 ft 2 in 3,40 m	11 ft 4 in 3,45 m
B Overall Track Length	13 ft 7 in 4,14 m	14 ft 6 in 4,42 m
C Track Length (Idler to Sprocket Center)	10 ft 5 in 3,18 m	11 ft 8 in 3,42 m
D Tail Swing (From Swing Center Line).....	6 ft 0 in 1,83 m	6 ft 0 in 1,83 m
E Reach		
Maximum with FS20 Saw	23 ft 6 in 7,17 m	25 ft 8 in 7,80 m
Minimum with FS20 Saw	11 ft 8 in 3,56 m	15 ft 3 in 4,65 m
F Ground Clearance		
Single Grouser Shoes.....	30 in 762 mm	29 in 740 mm
Double or Triple Grouser Shoes ..	28 in 711 mm	27 in 690 mm
G Upperstructure Width.....	9 ft 8 in 2,94 m	9 ft 8 in 2,94 m
H Track Gauge	7 ft 7 in 2,30 m	8 ft 4 in 2,54 m
I Width Over Tracks		
With 24-in 610 mm Track Shoes..	9 ft 7 in 2,92 m	10 ft 4 in 3,15 m
With 36-in 914 mm Track Shoes..	10 ft 7 in 3,21 m	11 ft 4 in 3,45 m

703G & 753G FELLER BUNCHERS

FIXED STICK



TELESCOPIC BOOM



Machines not exactly as shown. Illustrations are for dimensioning purposes only.

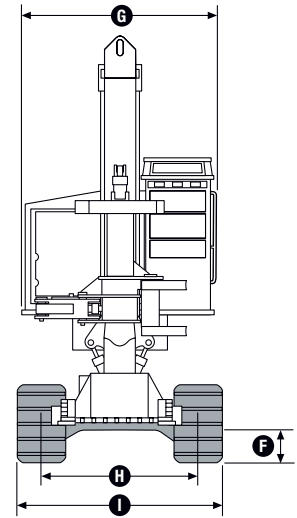
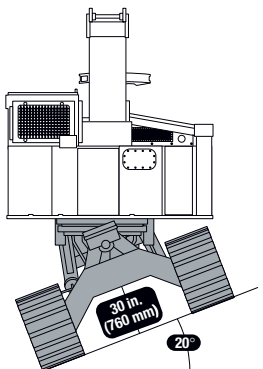
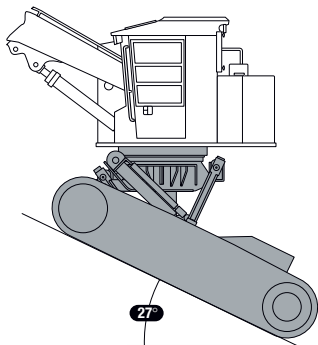
759G FELLER BUNCHER

JOHN DEERE 759G FELLER BUNCHER

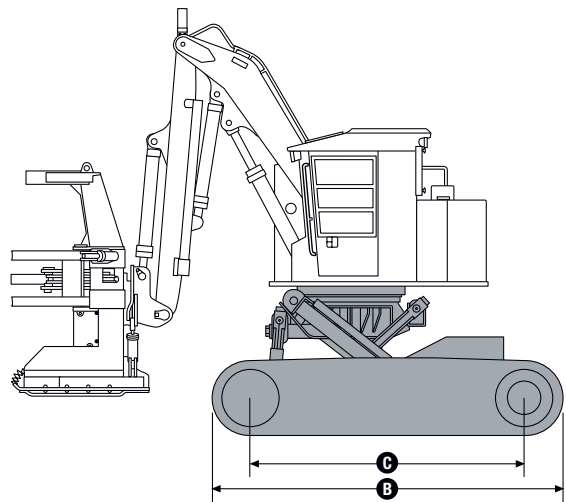
DIMENSIONS 759G

A Overall Height	12 ft 5 in 3,78 m
B Overall Track Length	14 ft 6 in 4,42 m
C Track Length (Idler to Sprocket Center)	11 ft 8 in 3,42 m
D Tail Swing (From Swing Center Line).....	6 ft 0 in 1,83 m
E Reach	
Maximum (608L with FS20 Saw)	23 ft 3 in 7,10 m
Minimum (608L with FS20 Saw)	12 ft 7 in 3,80 m
F Ground Clearance	
Single Grouser Shoes.....	30 in 760 mm
G Upperstructure Width.....	9 ft 8 in 2,94 m
H Track Gauge	8 ft 0 in 2,43 m
I Width Over Tracks	
With 24-in 610 mm track shoes.....	10 ft 0 in 3,05 m

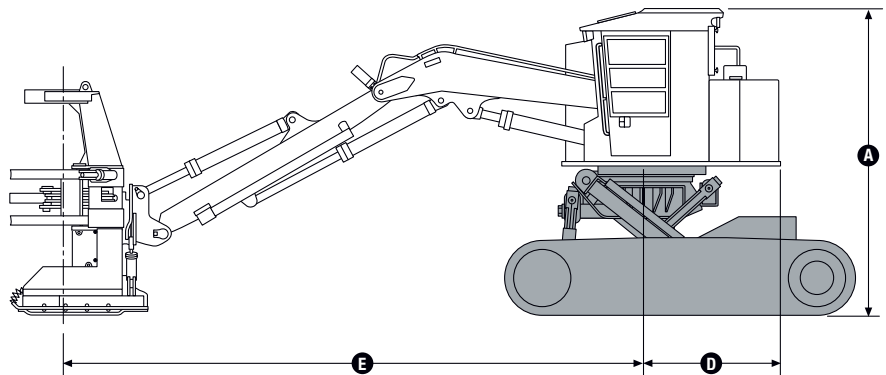
Cab-Levelling Capability	
Forward	27 degrees (51% slope)
Rear	10 degrees (18% slope)
Side-to-Side	20 degrees (36% slope)



FIXED STICK



TELESCOPIC BOOM



TRACK FELLER BUNCHERS

703G 753G 759G



NOTHING RUNS LIKE A DEERE.™

Maybe those words are the reason why almost every other professional logger is a John Deere customer.

They're just five simple words. Yet they have profound impact on your company. Because at their heart they mean equipment that is built forest tough, with greater productivity, more uptime and lower daily operating costs. They mean a dealer network over 380 locations strong, with immediate access to parts and experts that understand your industry. They mean a dedicated lender

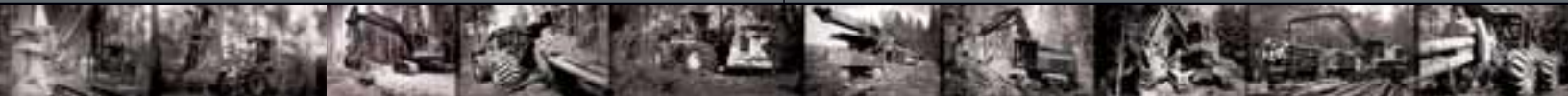
in John Deere Credit, committed to helping loggers succeed with competitive financing to enhance cash flow. And they mean a global forestry equipment leader that invests more in R & D than any other manufacturer.

But most of all, these words represent the confidence that comes with over 168 years of heavy equipment experience.

Your world is logging. So is ours. John Deere Forestry. Leading the way, worldwide.

FULL TREE SYSTEM

ADVANCED HARVESTING SYSTEM



PRODUCTIVITY | UPTIME | LOW DAILY OPERATING COSTS

www.JohnDeere.com



JOHN DEERE
Nothing Runs Like A Deere