

G-SERIES
WHEELED HARVESTERS



JOHN DEERE

1070G / 1170G / 1270G / 1470G

PRODUCTIVITY
AND PRECISION





***OUTRUN
LIMITATIONS.***

Tough conditions demand thoughtful solutions. A lot of deep thinking went into our G-Series Wheeled Harvesters, including extensive input from loggers just like you — the ones who live it every day.

These versatile machines will help you overcome obstacles, no matter your harvesting application or terrain. They are loaded with improvements that boost performance, including an enhanced Intelligent Boom Control (IBC) system option on the JD180S boom for the 1070G, CH6 boom for the 1170G, CH7 boom for the 1270G, and CH9 boom for the 1470G that delivers more precise boom control.

Built on more than 180 years of groundbreaking innovation. Backed by over a half-century of experience in the woods. And designed with proven components to withstand the toughest environments. The G-Series will help you outrun limitations. And make you rethink what a wheeled harvester can accomplish.

“QUIT” IS NOT A PART OF THEIR VOCABULARY

Up and at 'em.

You work hard, and so will your G-Series Wheeled Harvester. With features such as Intelligent Boom Control (IBC), these machines can make your tough job easier.

Intelligence in action

IBC makes it easier to maneuver the harvesting head. Operators no longer need to control each independent boom joint separately. Simply steer the harvester head towards the target, and IBC does the rest, automatically controlling all boom movements based on the grapple's location.

Durable diesels

PowerTech™ Plus diesel engines deliver high torque at low rpm, for excellent fuel efficiency and power without compromise. By responding to workload changes, these engines enable more efficient and fluid harvesting.

Simply more reliable

Reliable electrical architecture simplifies wiring harnesses and minimizes the number of fuses, relays, and electrical connectors needed.

Commanding view

Now standard on G-Series machines, RENCRAFT® Super Hard Coat polycarbonate windows are scratch resistant, tolerant of cleaning agents, and enhance optic quality. These windows fulfill the new ISO 21876 standard for saw-chain shot protection. Plus, due to their almost 50-percent thicker material than previous windows, the cab is better insulated, resulting in a quieter work environment.



BOOM ECONOMY**Intelligent Boom Control.**

Now optional on all John Deere wheeled harvester models, Intelligent Boom Control (IBC) makes boom operations easier, more precise, and more productive.

Less stress

The IBC system adjusts to the work cycle, changing boom trajectory and functioning whether the harvester head is empty or holding a tree. IBC helps deliver smoother operation, reducing stress on the entire boom.

Precise positioning

Grapple positioning is more precise, especially with long reaches. Mini-lever movement always produces the same amount of grapple speed, no matter how far the boom is extended.

Hill mode

Boom tip automatically follows the preferred trajectory. Choose Hill mode in IBC to adjust the trajectory for efficiently working on a slope.



 
HILL MODE
IN IBC OPTIMIZES
WORK ON SLOPES

Choose how you work

Joysticks are now configurable to user preference, so operators can run IBC using their favored control pattern, including default, ISO pattern, or knuckleboom (ISO inverted) control pattern.

Smooth boom control

High-capacity controllers, simplified CAN bus network, and a streamlined electrical system help provide precise boom control with minimal malfunctions and fast troubleshooting.



**MORE
POWER**
FOR MULTIFUNCTION
CAPABILITY



READY WHEN YOU ARE

Versatility meets capability.

Whether you are thinning, regeneration harvesting, or working in more demanding conditions like soft soils or steep slopes, there is a G-Series Wheeled Harvester to fit your needs.

Agile 1070G

Available in four- and six-wheel configurations, the nimble, productive 1070G is the perfect choice for thinning operations.

Multitalented 1170G

The versatile six-wheeled 1170G handles everything from thinning to regeneration harvesting. Equip it with 26.5-inch front tires for the higher ground clearance needed in deep snow or rocky environments. The powerful eight-wheeled 1170G provides excellent stability on ordinary logging sites or steeper slopes as well as the low ground pressure needed for soft-soil applications.

Hardworking 1270G

With the power to handle large trees, the six-wheeled 1270G is an exceptional all-around wheeled harvester. This model is also available in an eight-wheel-drive option for conditions that call for maximum traction and climbing ability.

Stable and able 1470G

For ultimate harvesting productivity, choose the stable, smooth 1470G Harvester. Equipped with a CH9 rigid boom, the 1470G is perfect for tackling large timber and extreme conditions.

Adaptive Driveline Control

Select the driving mode (Eco, Normal, or Power) that best fits conditions during high loads, and Adaptive Driveline Control automatically adjusts engine rpm to keep driving speed steady. Select **Normal** mode for everyday operation or **Power** mode to get maximum tractive force in high-load situations. For lighter demands, **Economy** mode reduces engine speed and noise while improving fuel efficiency.

MORE COMFORT AND CONTROL

Calm, cool, collected — and cutting wood.

A comfortable operator is a productive operator. And G-Series Wheeled Harvesters offer plenty of fatigue-beating comfort and control, for maximum productivity with minimal effort.

Do your level best

The rotating and smooth-leveling cab turns 290 degrees providing 360-degree visibility to surroundings and boom movements. The auto-leveling cab keeps the operator balanced and comfortable in steep and uneven terrain.

Precise, efficient harvesting control

The TimberMatic H-16 control system provides reliable, efficient control of all harvesting functions, for more precise, quicker boom movements and greater productivity. User-friendly software offers easy-to-learn patterns and operator-specific patterns, so you can get the most out of your machine every shift. A remote display and more detailed diagnostics speed troubleshooting.

Straightforward control system

State-of-the-art TimberMatic H-16 machine-control system features an easy-to-use interface that integrates base machine control with its measuring system. This configurable user interface comes standard.

Watchful eye

Exclusive TimberLink™ automatic monitoring system keeps an eye on operating costs while tracking machine performance and efficiency, and providing that data to the TimberMatic system. Work-cycle information such as idle time can be used to fine-tune settings and improve operator technique.





ADVANCED CONTROL, ONE INTERFACE

TIMBERMATIC™ H-16 CONTROL SYSTEM ENABLES CONTROL OF MEASURING, CUTTING, AND BASE MACHINE FUNCTIONS FROM A SINGLE CONFIGURABLE INTERFACE



NO SWEAT.

Fast daily checks

Grouped checkpoints and optional central lubrication system speed daily checks and greasing.

More uptime between service

Main service intervals of 1,500 and 3,000 hours with intermediate service at 750 hours decrease planned downtime and expense.

Fuel-efficient hydraulic-driven fan

Hydraulic-driven variable-speed fan runs only as needed, reducing fuel consumption and debris flow through the cooler cores. It's programmable to reverse at periodic intervals to clear core-clogging buildup.



Get valuable insight with

PRECISION FORESTRY

TimberMatic™ Maps and TimberManager™

TimberMatic Maps and TimberManager are proven jobsite-mapping tools originally designed for wheeled cut-to-length logging operations. TimberMatic Maps enables enhanced visibility, allowing operators to review production values as well as see and create points of interest that can be shared in real time with other onsite team members. Staff not on the jobsite can also access any of this data through TimberManager, to optimize tasks and increase efficiency.

JDLink™

JDLink alerts can be sent to your computer or mobile device — or your John Deere dealer, if you choose — to inform you of immediate machine issues. If downtime does occur, exclusive remote diagnostics and programming enable your dealer to minimize the time and cost associated with sending a technician to the logging site for an initial diagnostic visit. You can also receive reminders of periodic scheduled maintenance on your computer or mobile device, or from your dealer.



1070G

Engine		1070G 4W / 6W	
Manufacturer and Model	John Deere PowerTech™ Plus 6068		
Non-Road Emission Standard	EPA Final Tier 4 / EU Stage IV		
Maximum Power	136 kW (182 hp) at 2,000 rpm		
Net Peak Torque	850 Nm (627 lb.-ft.) at 1,400–1,500 rpm		
Fuel Tank Capacity	300 L (79.3 gal.)		
Diesel Exhaust Fluid (DEF) Tank Capacity			
Total	24 L (6.3 gal.)		
Usable	13 L (3.4 gal.)		
Transmission			
Hydrostatic-mechanical, 2-speed gearbox			
Tractive Force	130 kN (29,200 lb.)		
Travel Speed			
Gear 1	0–7.5 km/h (0–4.7 mph)		
Gear 2	0–24 km/h (0–14.9 mph)		
Steering/Brakes			
Proportional frame steering with electrical joystick			
Turning Angle	± 44 deg.		
Brakes	Hydraulically actuated, oil-immersed, multi-disc service brakes		
Parking/Emergency	Spring actuated		
Frame Oscillation	Automated		
Axles/Bogies		1070G 4W	1070G 6W
Axles			
Front	Electrohydraulic differential lock at front and rear		
Rear	Rigid axle		Balanced bogie axle
	Rigid axle		Rigid axle
Electrical		1070G 4W / 6W	
Voltage	24 volt		
Batteries	2 x 145 Ah		
Alternator	150 A (28 volt)		
Lights	60 lux		
Hydraulics			
Load sensing			
Pump Capacities	160 cm ³ (9.7 cu. in.)		
Working Pressure	24 MPa (3,480 psi) / 28 MPa (4,060 psi)		
Hydraulic Tank	160 L (42.3 gal.)		
Boom			
Type	180S		
Maximum Reach Lengths (head included)	8.6 m (28.2 ft.) / 10.0 m (32.8 ft.) / 10.8 m (35.5 ft.)		
Gross Lifting Torque	143 kNm (105,500 ft.-lb.)		
Slewing Torque	38 kNm (28,000 ft.-lb.)		
Slewing Angle	220 deg.		
Tilt Angle, Forward / Back	+28 / –14 deg.		
Cabin			
Rotating and leveling			
Rotating Angle	160 deg.		
Sideways Tilt	17 deg.		
Forward and Backward Tilt	10 deg.		
Measuring and Control System			
Type	PC / Windows® 07-based TimberMatic™ H-16		
Harvester Heads			
Attachments	H212, H423, and H424		

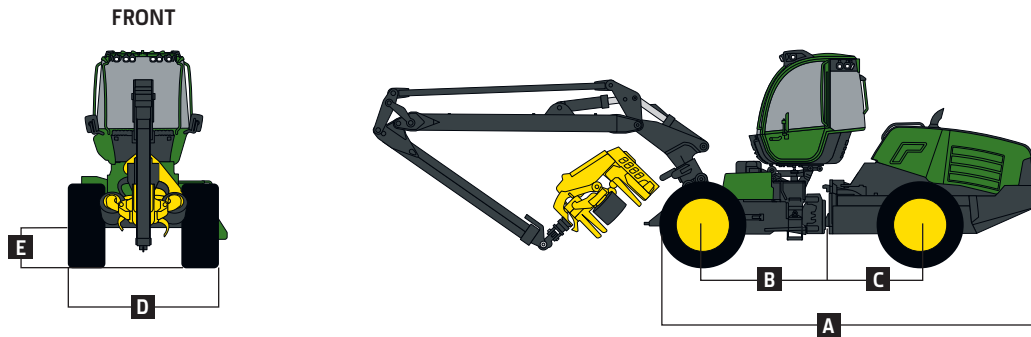
While general information, pictures, and descriptions are provided, some illustrations and text may include product options and accessories NOT AVAILABLE in all regions, and in some countries products and accessories may require modifications or additions to ensure compliance with the local regulations of those countries.



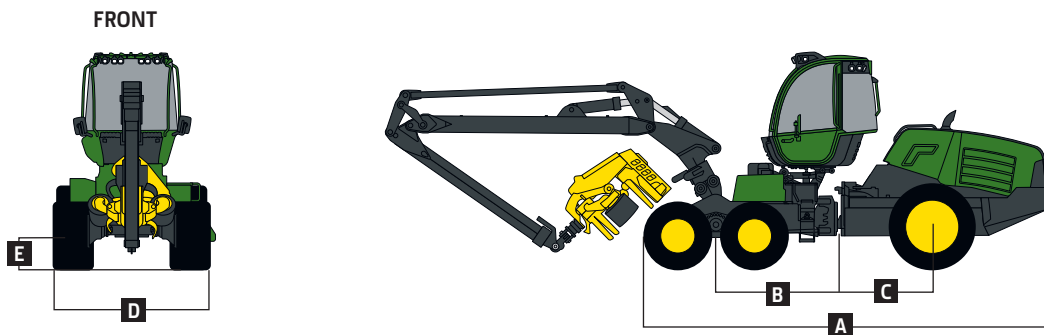
Dimensions*	1070G 4W	1070G 6W
A Length	6723 mm (22.06 ft.)	6990 mm (22.93 ft.)
B Front Axle – Middle Joint	1850 mm (6.07 ft.)	1850 mm (6.07 ft.)
C Rear Axle – Middle Joint	1850 mm (6.07 ft.)	1850 mm (6.07 ft.)
B + C Wheelbase	3700 mm (12.14 ft.)	3700 mm (12.14 ft.)
Tires		
Front	34 in. or 26.5 in.	22.5 in.
Rear	34 in.	26.5 in.
D Width		
600-Series Tires	Min. 2600 mm (8.53 ft.)	Min. 2663 mm (8.74 ft.)
650-Series Tires	Min. 2710 mm (8.89 ft.)	Min. 2710 mm (8.89 ft.)
710-Series Tires	Min. 2790 mm (9.15 ft.)	Min. 2823 mm (9.26 ft.)
Outer Turning Radius – 710-Series Tires	5815 mm (19.08 ft.)	6017 mm (19.74 ft.)
Inner Turning Radius – 710-Series Tires	3080 mm (10.10 ft.)	3247 mm (10.65 ft.)
Transport Height	3708 mm (12.17 ft.)	3730 mm (12.24 ft.)
Transport Length	11 435 mm (37.52 ft.)	11 424 mm (37.48 ft.)
E Ground Clearance, Middle Joint	570 mm (22.4 in.)	590 mm (23.2 in.)
Minimum Machine Weight w/ Harvester Head	15 200 kg (33,510 lb.)	16 000 kg (35,274 lb.)

*Dimensions are guidelines only and may vary depending on production tolerances.

1070G 4W



1070G 6W



While general information, pictures, and descriptions are provided, some illustrations and text may include product options and accessories NOT AVAILABLE in all regions, and in some countries products and accessories may require modifications or additions to ensure compliance with the local regulations of those countries.

1170G

Engine	1170G 6W / 8W	
Manufacturer and Model	John Deere PowerTech™ Plus 6068	
Non-Road Emission Standard	EPA Final Tier 4 / EU Stage IV	
Maximum Power	155 kW (208 hp) at 2,000 rpm	
Net Peak Torque	978 Nm (721 lb.-ft.) at 1,200–1,500 rpm	
Fuel Tank Capacity	300 L (79.3 gal.)	
Diesel Exhaust Fluid (DEF) Tank Capacity		
Total	24 L (6.3 gal.)	
Usable	13 L (3.4 gal.)	
Transmission	1170G 6W	1170G 8W
Hydrostatic-mechanical, 2-speed gearbox		
Tractive Force	150 kN (33,700 lb.)	160 kN (35,969 lb.)
Travel Speed		
Gear 1	0–7.5 km/h (0–4.7 mph)	0–7.5 km/h (0–4.7 mph)
Gear 2	0–24 km/h (0–14.9 mph)	0–24 km/h (0–14.9 mph)
Steering/Brakes	1170G 6W / 8W	
Proportional frame steering with electrical joystick		
Turning Angle	± 44 deg.	
Brakes	Hydraulically actuated, oil-immersed, multi-disc service brakes	
Parking/Emergency	Spring actuated	
Frame Oscillation	Automated	
Axles/Bogies	1170G 6W	1170G 8W
Axles	Electrohydraulic differential lock at front and rear	
Front	Balanced bogie axle	Balanced bogie axle
Rear	Rigid axle	Balanced bogie axle
Electrical	1170G 6W / 8W	
Voltage	24 volt	
Batteries	2 x 145 Ah	
Alternator	150 A (28 volt)	
Lights	60 lux	
Hydraulics		
Load sensing		
Pump Capacities	190 cm ³ (11.6 cu. in.)	
Working Pressure	24 MPa (3,480 psi) / 28 MPa (4,060 psi)	
Hydraulic Tank	160 L (42.3 gal.)	
Boom		
Type	CH6	
Maximum Reach Lengths (head included)	10.0 m (32.8 ft.) / 11.3 m (37.1 ft.)	
Gross Lifting Torque	165 kNm (121,700 ft.-lb.)	
Slewing Torque	45 kNm (33,200 ft.-lb.)	
Slewing Angle	220 deg.	
Tilt Angle, Forward / Back	+28 / –14 deg.	
Cabin		
Rotating and leveling		
Rotating Angle	160 deg.	
Sideways Tilt	17 deg.	
Forward and Backward Tilt	10 deg.	
Measuring and Control System		
Type	PC / Windows® 07-based TimberMatic™ H-16	
Harvester Heads		
Attachments	H212, H423, and H424	

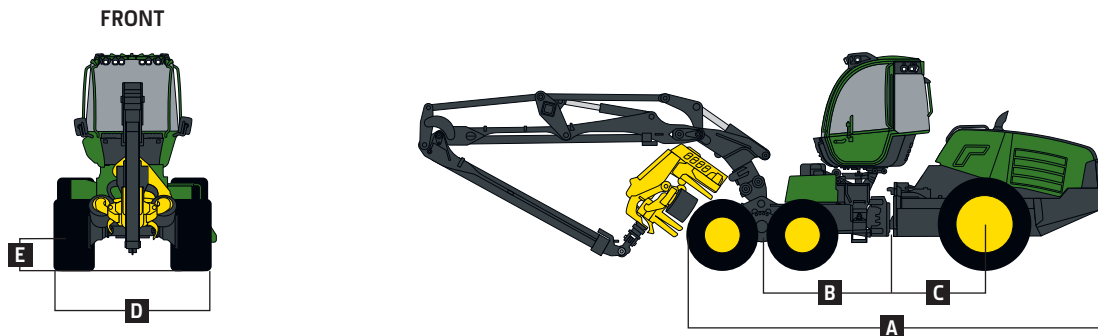
While general information, pictures, and descriptions are provided, some illustrations and text may include product options and accessories NOT AVAILABLE in all regions, and in some countries products and accessories may require modifications or additions to ensure compliance with the local regulations of those countries.



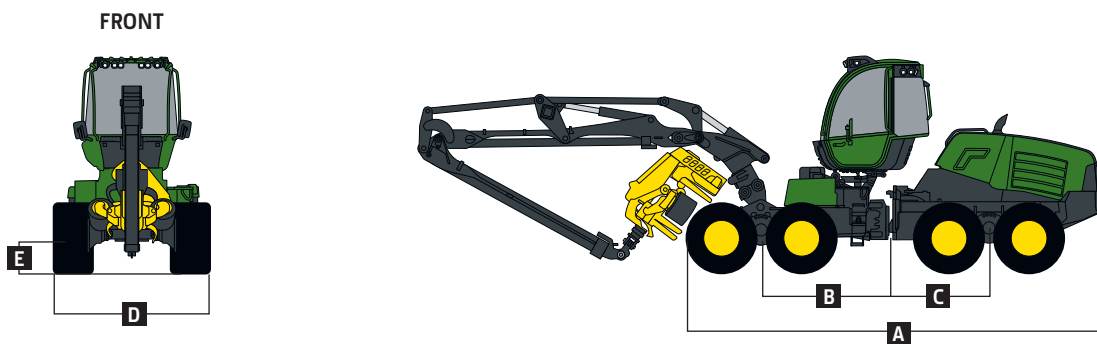
Dimensions*	1170G 6W	1170G 8W
A Length	7240 mm (23.75 ft.)	7450 mm (24.44 ft.)
B Front Axle – Middle Joint	2020 mm (6.63 ft.)	2020 mm (6.63 ft.)
C Rear Axle – Middle Joint	1850 mm (6.07 ft.)	1950 mm (6.40 ft.)
B + C Wheelbase	3870 mm (12.70 ft.)	3970 mm (13.02 ft.)
Tires		
Front	24.5 in. or 26.5 in.	24.5 in.
Rear	34 in.	24.5 in.
D Width		
600-Series Tires	Min. 2600 mm (8.5 ft.)	Min. 2600 mm (8.5 ft.)
650-Series Tires	Min. 2720 mm (8.92 ft.)	Min. 2720 mm (8.92 ft.)
710-Series Tires	Min. 2840 mm (9.32 ft.)	Min. 2840 mm (9.32 ft.)
Outer Turning Radius – 710-Series Tires	6338 mm (20.79 ft.)	6496 mm (21.31 ft.)
Inner Turning Radius – 710-Series Tires	3285 mm (10.78 ft.)	3467 mm (11.37 ft.)
Transport Height	3768 mm (12.36 ft.)	3756–3933 mm (12.32–12.90 ft.)
Transport Length	11 868 mm (38.94 ft.)	11 797 mm (38.70 ft.)
E Ground Clearance, Middle Joint	633 mm (24.9 in.)	618 mm (24.3 in.)
Minimum Machine Weight w/ Harvester Head	17 800 kg (39,242 lb.)	19 500 kg (42,990 lb.)

*Dimensions are guidelines only and may vary depending on production tolerances.

1170G 6W



1170G 8W



While general information, pictures, and descriptions are provided, some illustrations and text may include product options and accessories NOT AVAILABLE in all regions, and in some countries products and accessories may require modifications or additions to ensure compliance with the local regulations of those countries.

1270G / 1470G

Engine	1270G 6W	1270G 8W	1470G
Manufacturer / Model	John Deere PowerTech™ Plus 6090	John Deere PowerTech Plus 6090	John Deere PowerTech Plus 6090
Non-Road Emission Standards	EPA Final Tier 4 (FT4) / EU Stage IV	EPA FT4 / EU Stage IV	EPA FT4 / EU Stage IV
Maximum Power	200 kW (268 hp) at 1,900 rpm	200 kW (268 hp) at 1,900 rpm	200 kW (268 hp) at 1,900 rpm
Maximum Torque	1315 Nm (970 ft.-lb.) at 1,200–1,400 rpm	1315 Nm (970 ft.-lb.) at 1,200–1,400 rpm	1315 Nm (970 ft.-lb.) at 1,200–1,400 rpm
Fuel Tank Capacity	450 L (119 gal.)	390 L (103 gal.)	450 L (119 gal.)
Diesel Exhaust Fluid (DEF) Tank Capacity			
Total	23 L (6 gal.)	23 L (6 gal.)	23 L (6 gal.)
Usable	14.5 L (3.8 gal.)	14.5 L (3.8 gal.)	14.5 L (3.8 gal.)
Transmission			
Hydrostatic-mechanical, 2-speed gearbox			
Tractive Force	180 kN (40,464 lbf)	210 kN (47,208 lbf)	200 kN (44,960 lb.)
Travel Speed			
Gear 1	0–7.5 km/h (0–4.3 mph)	0–7.0 km/h (0–4.3 mph)	0–7.5 km/h (0–4.3 mph)
Gear 2	0–22 km/h (0–13.7 mph)	0–21 km/h (0–13.0 mph)	0–22 km/h (0–13.7 mph)
Steering/Brakes	1270G 6W / 1270G 8W / 1470G		
Proportional frame steering with mini lever			
Turning Angle	±44 deg.		
Brakes	Hydraulically actuated, oil-immersed, multi-disc service and working brakes		
Parking/Emergency	Spring actuated		
Frame Oscillation	Automated		
Axles/Bogies			
Axles	Hydromechanical differential lock at front and rear		
Front	Balanced bogie axles		
Rear	Rigid axle		
Electrical System			
Voltage	24 volts		
Batteries	2 x 154 Ah		
Alternator	150 amps (28 volts)		
Lights	Halogen: 10 work lights, 4 boom lights, and 6 thinning lights / LED lights optional		
Hydraulic System	1270G 6W	1270G 8W	1470G
Load-sensing, power-adjustable, double-pump system			
Pump Capacities	190 cm ³ (12 cu. in.) and 180 cm ³ (11 cu. in.)	190 cm ³ (12 cu. in.) and 180 cm ³ (11 cu. in.)	210 cm ³ (13 cu. in.) and 180 cm ³ (11 cu. in.)
Maximum Operating Pressure	28 MPa (4,060 psi)	28 MPa (4,060 psi)	28 MPa (4,060 psi)
Hydraulic Tank	300 L (79 gal.)	300 L (79 gal.)	300 L (79 gal.)
Boom			
Type	CH7	CH7	CH9
Maximum Reach Lengths (head included)	8.6 m (28.2 ft.) / 10.0 m (32.8 ft.) / 11.7 m (38.4 ft.)	8.6 m (28.2 ft.) / 10.0 m (32.8 ft.) / 11.7 m (38.4 ft.)	8.6 m (28.2 ft.) / 10.0 m (32.8 ft.) / 11.0 m (36.1 ft.)
Gross Lifting Torque	197 kNm (145,000 ft.-lb.)	197 kNm (145,000 ft.-lb.)	225 kNm (166,000 ft.-lb.)
Slewing Torque	50 kNm (37,000 ft.-lb.)	50 kNm (37,000 ft.-lb.)	59 kNm (44,000 ft.-lb.)
Slewing Angle	220 deg.	220 deg.	220 deg.
Tilt Angle, Forward/Back	+28 / –15 deg.	+28 / –15 deg.	+28 / –18 deg.
Cabin	1270G 6W / 1270G 8W / 1470G		
Leveling and rotating, or fixed cabin			
Rotating Angle	160 deg.		
Sideways Tilt	17 deg.		
Forward and Backward Tilt	9 deg.		
Measuring and Control System	1270G 6W	1270G 8W	1470G
Type	PC / Windows® 07-based TimberMatic™ H-16	PC / Windows 07-based TimberMatic H-16	PC / Windows 07-based TimberMatic H-16
Harvester Heads			
Attachments	H270 Series II, H215E, H423, H424, H425, H425HD, and H480C	H270 Series II, H215E, H423, H424, H425, H425HD, and H480C	H270 Series II, H215E, H219, H425, H425HD, and H480C

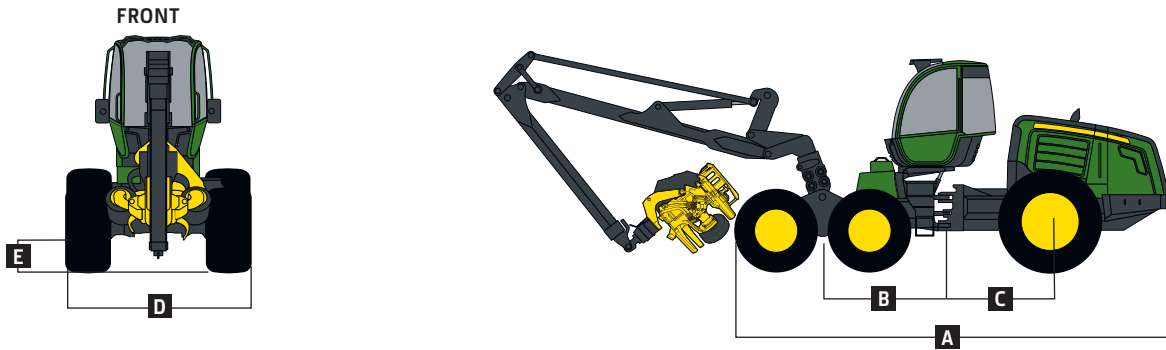
While general information, pictures, and descriptions are provided, some illustrations and text may include product options and accessories NOT AVAILABLE in all regions, and in some countries products and accessories may require modifications or additions to ensure compliance with the local regulations of those countries.



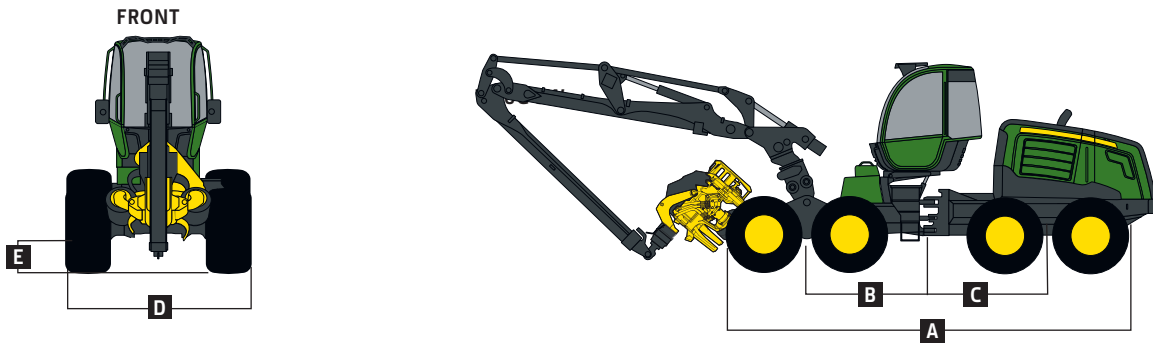
Dimensions*	1270G 6W	1270G 8W	1470G
A Length	7697 mm (25.25 ft.)	7927 mm (26.0 ft.)	7944 mm (26.06 ft.)
B Front Axle – Middle Joint	2150 mm (7.05 ft.)	2150 mm (7.05 ft.)	2250 mm (7.38 ft.)
C Rear Axle – Middle Joint	2020 mm (6.63 ft.)	2280 mm (7.48 ft.)	2020 mm (6.63 ft.)
B + C Wheelbase	4170 mm (13.68 ft.)	4430 mm (14.53 ft.)	4270 mm (14.01 ft.)
Tires			
Front	26.5–20	26.5-20	26.5–20
Rear	34–14	26.5-20	34–16
D Width			
600-Series Tires / 650-Series Tires	Min. 2746 mm (9.0 ft.) / N/A	Min. 2746 mm (9.0 ft.) / N/A	N/A / Min. 2990 mm (9.81 ft.)
710-Series Tires / 750-Series Tires	Min. 2960 mm (9.71 ft.) / N/A	Min. 2960 mm (9.71 ft.) / N/A	N/A / Min. 2990 mm (9.81 ft.)
Outer Turning Radius –			
710-Series Tires / 750-Series Tires	6736 mm (22.10 ft.) / N/A	7105 mm (23.3 ft.) / N/A	6932 mm (22.74 ft.) / 6930 mm (22.74 ft.)
Inner Turning Radius –			
710-Series Tires / 750-Series Tires	3761 mm (12.34 ft.) / N/A	3988 mm (13.08 ft.) / N/A	3693 mm (12.12 ft.) / 3690 mm (12.11 ft.)
Transport Height	3810 mm (12.5 ft.)	3881 mm (12.73 ft.)	3910 mm (12.82 ft.)
Transport Length	12 270 mm (40.25 ft.)	12 560 mm (41.2 ft.)	12 280 mm (40.28 ft.)
E Ground Clearance	654 mm (25.7 in.)	717 mm (28.2 in.)	754 mm (29.7 in.)
Minimum Machine Weight w/ Harvester Head	20 650 kg (45,525 lb.)	24 450 kg (53,903 lb.)	22 900 kg (50,486 lb.)

*Dimensions are guidelines only and may vary depending on production tolerances.

1270G 6W / 1470G



1270G 8W



While general information, pictures, and descriptions are provided, some illustrations and text may include product options and accessories NOT AVAILABLE in all regions, and in some countries products and accessories may require modifications or additions to ensure compliance with the local regulations of those countries.



JOHN DEERE

JohnDeere.com/forestry

TO FIND SUCCESS IN THE FOREST,
YOU CAN WAIT FOR THE PERFECT SET OF CONDITIONS.

Or give yourself every advantage to create your own.
Productive machines. Innovative technology. Useful
insights. Dependable support.

The obstacles to success are many. John Deere helps you

OUTRUN™ THEM ALL.



DKDGWHVR Litho in U.S.A. (21-06)