

1550 / 1570 / 1575 / 1580 / 1585 TerrainCut™ Front Mowers



1550 / 1570 / 1575 / 1580 / 1585 TerrainCut™ Front Mowers

Key	Part No.	Description	Key	Part No.	Description
1	M806418	ENGINE OIL FILTER - 1550	9	AUC15260	MUFFLER - 1550
	M806419	ENGINE OIL FILTER - 1570/1575/1580/1585		TCA22237	MUFFLER - 1570 & 1575
2	M146082	TRANSMISSION OIL FILTER		TCA22239	MUFFLER - 1580 & 1585
3A	MIU804763	FUEL FILTER ELEMENT - 1550	10	AT25983	AIR RESTRICTION INDICATOR
3B	MIU802421	FUEL FILTER - PRIMARY - 1570/1575/1580/1585	11	MIA884949	TIE ROD END - 1550
3C	MIU803127	FUEL FILTER - SECONDARY - 1570/1575/1580/1585		MIA884949	TIE ROD END - RH - 4WD
4	M131802	AIR FILTER ELEMENT - PRIMARY		MIA884948	TIE ROD END - LH - 4WD
5	M131803	AIR FILTER ELEMENT - SECONDARY	12	TCA19122	SEAT ASSEMBLY - COMPLETE - 1550/1570/1580
6	TCU34832	BELT - ALTERNATOR	13A	M811895	THERMOSTAT - 1550
7A	TCA22740	IGNITION SWITCH - (S/N -015000)		M811034	THERMOSTAT - 1570/1575/1580/1585
	AUC15805	IGNITION SWITCH - (S/N 015001-)	13B	M805834	GASKET - UPPER
7B	AUC12681	KEY - (S/N -015000)	13C	M805835	GASKET - LOWER - 1570/1575/1580/1585
	TCA24616	KEY - (S/N 015001-)	14	AM128175	POWER STEERING CYL - 1550/1570/1575
8	MCYP25876	WET CHARGED BATTERY - NOT FOR CANADA AND USA		TCA13984	POWER STEERING CYL - 1580/1585
	TY25876B	WET CHARGED BATTERY - FOR CANADA AND USA	15	TCA25008	DECK LIFT CYL
			16	TCA12032	THROTTLE CABLE
			17	MIU10010	CAB FRESH AIR FILTER - 1575/1585
				MIU10011	RECIRCULATION FILTER - 1575/1585

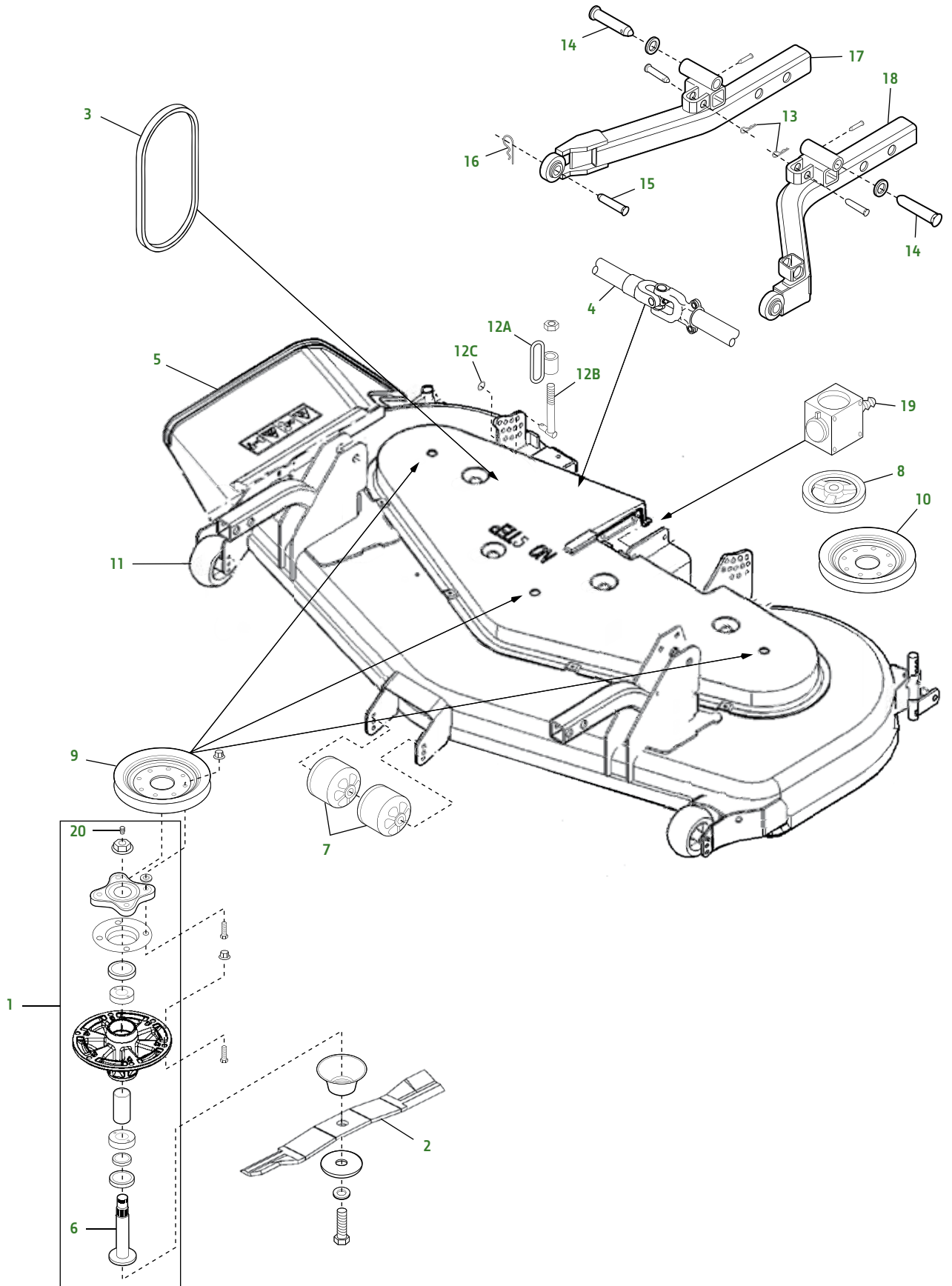
Parts Needed in First 500 Hours of Operation

Qty	Part No.	Item	Qty or Capacity	Interval In Hours
3	M806418	Engine Oil Filter - 1550	1	50/250/500
3	M806419	Engine Oil Filter - 1570/1575/1580/1585	1	50/250/500
12 15 18	TY26675	PLUS-50™ II 15W-40 - 2.5 gal	1550 - 3.1 L (3.3 qt) 1570/1575 - 4.1 L (4.3 qt) 1580/1585 - 4.8 L (5.1 qt)	50/250/500
3	M146082	Hydraulic Oil Filter	1	50/250/500
27 30 33	TY22062	HY-GARD™ Transmission Fluid - 2.5 gal	2WD - 8.5 L (9 qt) 1550/1570 - 4WD - 8.7 L (9.2 qt) 1575/1580/1585 - 10 L (10.5 qt)	50/250/500
1	MIU804763	Fuel Filter Element	1550 - 1	500
1	MIU802421	FUEL FILTER - PRIMARY	1570/1575/1580/1585 - 1	500
1	MIU803127	FUEL FILTER - SECONDARY	1570/1575/1580/1585 - 1	500
3	TY6341	Multi-Purpose SD Polyurea Grease (14 oz)		As Needed

Capacities

Engine Oil Capacity 1550 (with Filter)	3.1 L (3.3 qt)
Engine Oil Capacity 1570, 1575 (with Filter)	4.1 L (4.3 qt)
Engine Oil Capacity 1580, 1585 (with Filter)	4.8 L (5.1 qt)
Coolant (1550)	7.1 L (7.5 qt)
Coolant (1570, 1575, 1580, 1585)	7.6 L (8.0 qt)
Hydrostatic Transmission (2WD)	8.5 L (9.0 qt)
Hydrostatic Transmission (1550, 1570; 4WD)	8.7 L (9.2 qt)
Hydrostatic Transmission (1575, 1580, 1585)	10.0 L (10.5 qt)
Rear Axle (4WD)	4.7 L (5 qt)
Grease Gun	TY26518

60 in. / 72 in. 7-Iron™ ProSide Discharge & 62 in. / 72 in. FASTBACK™ Rear Discharge (1550 / 1570 / 1575 / 1580 / 1585)



60 in. / 72 in. 7-Iron™ ProSide Discharge & 62 in. / 72 in. FASTBACK™ Rear Discharge (1550 / 1570 / 1575 / 1580 / 1585)

Key	Part No.	Description	Key	Part No.	Description
1	TCA24881	SPINDLE ASSEMBLY - (S/N -030000), 72 in. RD (S/N -020000)	9	TCU21055	SHEAVE - BLADE SPINDLE - 60 in. in SD
	TCA25356	SPINDLE CAST IRON ASSEMBLY - (S/N 030001-), 72 in. RD (S/N 020001-)		TCU15036	SHEAVE - BLADE SPINDLE - 60 in. in SD
2	TCU15881	BLADE - HIGH LIFT - 60 in.		TCU31399	SHEAVE - BLADE SPINDLE - 62 in. in RD
	M128485	BLADE - MEDIUM LIFT EDGE - 60 in.		TCU51522	SHEAVE - BLADE SPINDLE - 72 in.
	TCU18990	BLADE - MID LIFT W/MULCH EDGE - 60 in.	10	AUC16478	IDLER - SHEAVE - 60 in. & 62 in.
	M168223	BLADE - MULCHING - 60 in.		24M7047	WASHER
	M133381	BLADE - LOW LIFT - 60 in.		AUC16477	IDLER - SHEAVE - 72 in. SD
	TCU51118	BLADE - MEDIUM LIFT - 62 in.		24M7047	WASHER
	M144935	BLADE - MULCH - 62 in.	11	TCU18744	GAGE WHEEL - 60 in. & 72 in. SD
	M144297	BLADE - LOW LIFT - 62 in.		M111489	GAGE WHEEL - 72 in. RD
	TCU15882	BLADE - HIGH LIFT - 72 in. SD	12A	TCU29993	LINK
	M142514	BLADE - MULCH - 72 in. SD & RD	12B	M96100	LIFT LINK
	M141669	BLADE - LOW LIFT - 72 in. SD & RD	12C	M88183	RING
	EPC201693	BLADE - MEDIUM LIFT - 72 in. RD	13	J16931	SPRING LOCKING PIN
3	TCU32986	BELT - 60 in.	14	R58262	PIN
	TCU33435	BELT - 62 in.	15	TCU38748	PIN - 60 in., 62 in. & 72 in. SD
	TCU19900	BELT - 72 in. SD	16	A3581R	SPRING LOCKING PIN - 60 in., 62 in. & 72 in. SD
	TCU13402	BELT - 72 in. SD - 1580	17	AUC12519	LIFT ARM - RH - 60 in.
	EPC201624	BELT - 72 in. RD		AUC12517	LIFT ARM - RH - 62 in.
4	TCA24035	DRIVE SHAFT - 60 in., 62 in. & 72 in. SD		AUC12521	LIFT ARM - RH - 72 in. SD
	EPC201691	DRIVE SHAFT - 72 in. RD		EPC201642	LIFT ARM - RH - 72 in. RD
5	TCA24830	CHUTE	18	AUC12518	LIFT ARM - LH - 60 in.
6	M134382	SPINDLE - (S/N -030000), 72 in. RD (S/N -020000)		AUC12516	LIFT ARM - LH - 62 in.
	M163059	SPINDLE - (S/N 030001-), 72 in. RD (S/N 020001-)		AUC12520	LIFT ARM - LH - 72 in. SD
7	TCU34060	ROLLER - 60 in. & 72 in. SD	19	TCA24776	GEARBOX - 60 in. SD
	M115245	ROLLER - 62 in. & 72 in. RD		TCA21758	GEARBOX - 62 in. RD
8	TCA16320	SHEAVE - GEARBOX - 60 in. SD		TCA21759	GEARBOX - 72 in. SD
	DMA210184	SHEAVE - GEARBOX - 62 in. RD		TCA22077	GEARBOX - 72 in. RD
	TCA15667	SHEAVE - GEARBOX - 72 in. SD	20	JD7849	LUBRICATION FITTING (S/N -030000), 72 in. RD (S/N -020000)
	EPC201669	SHEAVE - GEARBOX - 72 in. RD		JD7803	LUBRICATION FITTING (S/N 030001-), 72 in. RD (S/N 020001-)

Frequently Used Items

Qty	Part No.	Item
3	TCA25356	Spindle Assembly - Cast Iron
3	TCA24881	Spindle Assembly - (S/N -030000), 72 in. RD (S/N -020000)
3	TCA25356	Spindle Cast Iron Assembly - (S/N 030001-), 72 In. Rd (S/N 020001-)
3	TCU15881	Blade - High Lift - 60 in.
3	M128485	Blade - Medium Lift Edge - 60 in.
3	TCU18990	Blade - Mid Lift w/ Mulch Edge - 60 in.
3	M168223	Blade - Mulch - 60 in.
3	M133381	Blade - Low Lift - 60 in.
3	TCU51118	Blade - Medium Lift - 62 in.
3	M144935	Blade - Mulch - 62 in.
3	M144297	Blade - Low Lift - 62 in.
3	TCU15882	Blade - High Lift - 72 in. SD
3	M142514	Blade - Mulch - 72 in. SD & RD
3	M141669	Blade - Low Lift - 72 in. SD & RD
3	EPC201693	Blade - Medium Lift - 72 in. RD
1	TCU32986	Belt - 60 in.
1	TCU33435	Belt - 62 in.
1	TCU19900	Belt - 72 in. SD
1	EPC201624	Belt - 72 in. RD