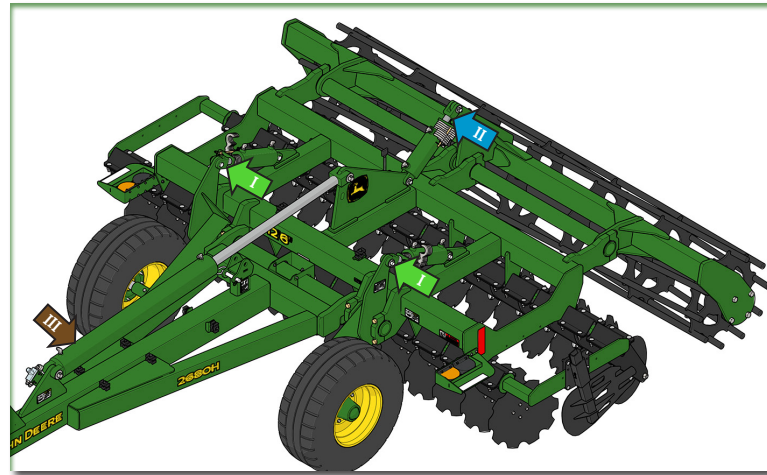


QRG 2680H QUICK REFERENCE GUIDE

NOTE: Use this as a reference guide. For further details on procedures, see the Operator's Manual provided with the machine.

Connect Hydraulics

SCV	Function
I	Front Wheel Lift
II	Rear Roller Lift
III	Main Frame Lift
IV	Not used
V	Hitch Jack Lift
VI	Optional Scraper



Engine Horsepower Requirements

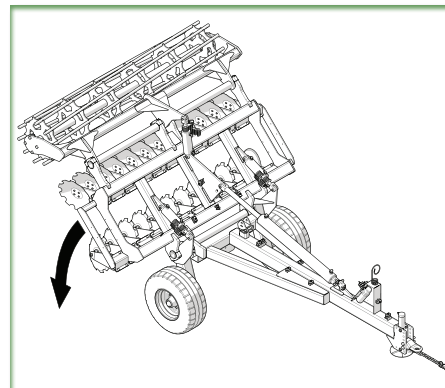
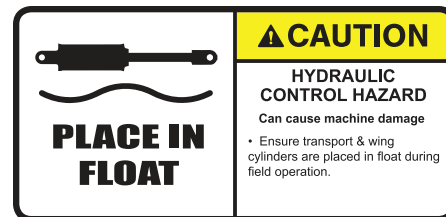
Machine Size	Tractor Power
8 ft	115 hp Minimum
10 ft	140 hp Minimum
12 ft	160 hp Minimum

Engine horsepower requirements may vary depending on soil conditions and digging depth.

IMPORTANT: If proper responses are not observed during folding or unfolding procedure, see Make Proper Hose Connections in the Operator's Manual.

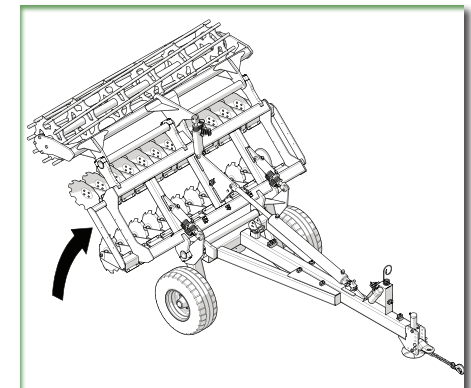
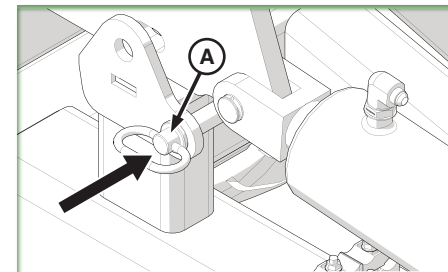
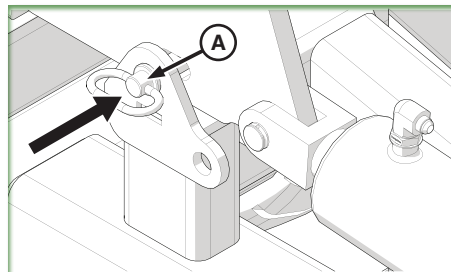
Unfolding Sequence

1. Remove transport pin (A) from the cradle and place in the storage position.
2. Extend SCV III until frame is off the cradle.
3. Place SCV III in the FLOAT position to lower the machine.



Folding Sequence

- A. Confirm transport pin (A) is in the storage position.
- B. Extend SCV I and SCV II to raise machine off the ground.
- C. Retract SCV III to fold wing onto the cradle.
- D. Insert and lock the transport pin (A) in the transport position.



QRG 2680H QUICK REFERENCE GUIDE

Adjust Operating Depth


Depth	Number of Stops
2.0"	9
2.5"	8
3.0"	7
3.5"	6
4.0"	5
4.5"	4
5.0"	3
5.5"	2
6.0"	1

IMPORTANT

CYLINDER STOP INSTRUCTIONS

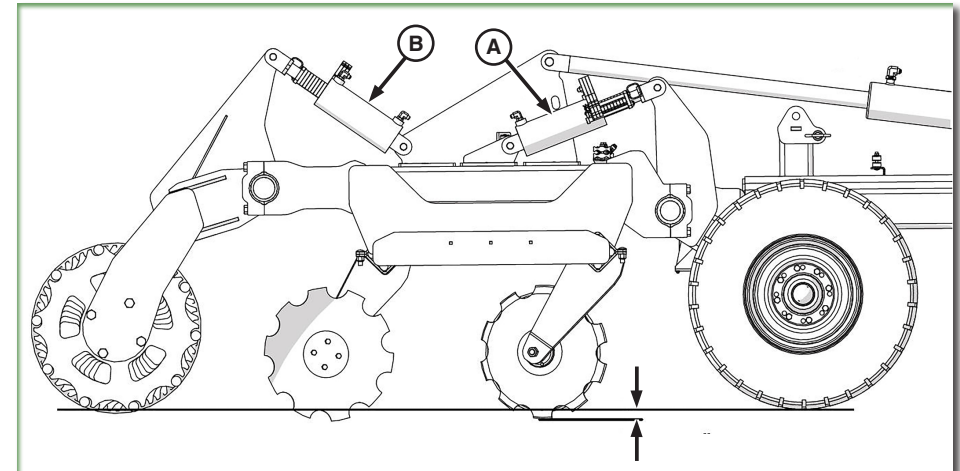
Can cause machine damage

- Use cylinder stops closest to the clevis first.




90-44-0247

- To adjust depth, raise wheel cylinders (A) and basket cylinders (B).
- Add cylinder stops for shallower depth.
- Remove stops for deeper depth.



In-Field Operation

- Ensure SCV III (Main Frame Lift) is in the FLOAT position.
- Adjust operating speed between 10 to 14 mph.
- For headland turns, make skip row passes at the desired operating depth.
- Ensure a minimum of 6 to 8 inches overlap.



PLACE IN
FLOAT

CAUTION

HYDRAULIC CONTROL HAZARD
Can cause machine damage

• Ensure transport & wing cylinders are placed in float during field operation.

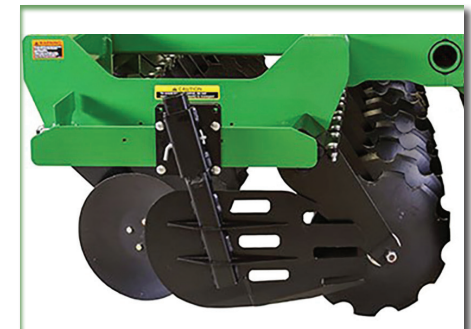
- When backing up, raise the machine using SCV I and SCV II. If machine is equipped with the rubber roller attachment, raise the scraper using SCV VI.

Machine Setting	Fall Tillage	Spring Tillage
Depth	3.5—4.5 in	2—3 in
Soil Deflector	Storage Position (High Residue)	Engaged Position (Low Residue)

IMPORTANT: Do not reverse machine in ground or damage may occur.
Do not use SCV III (Main Lift) during reversals and turns.
Do not make sharp turns causing tires to contact the hitch.



Soil Deflector (Storage Position)



Soil Deflector (Engaged Position)