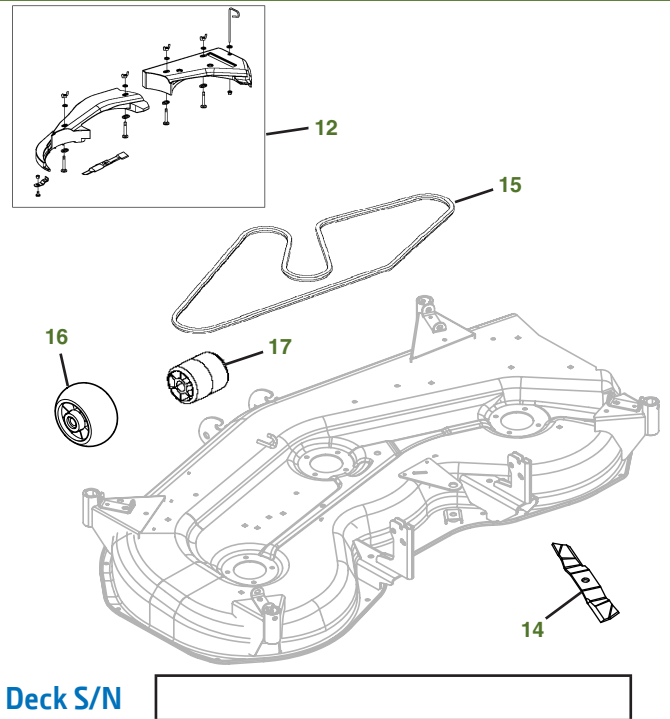
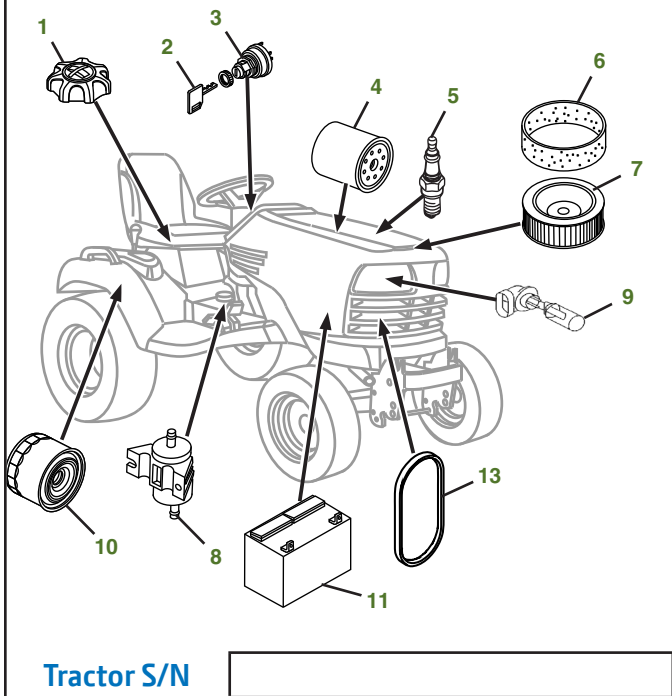


MAINTENANCE REMINDER SHEET

X728 with 54C DECK



Tractor S/N

Deck S/N

Key	Part No.	Description	Key	Part No.	Description
1	AM137724	FUEL CAP (S/N -060000)	11	TY25221A	BATTERY
	AM141406	FUEL CAP (S/N 060001 -)	12	BM20827	MULCH KIT
2	AM131841	KEY	13	M147344	FAN BELT
3	TCA22740	IGNITION SWITCH		M153381	FAN BELT (OPTIONAL)
4	AM107423	ENGINE OIL FILTER		M97340	FAN BELT - USE W/ MARKED ENGINE FD750D-KS12
5	M138938	SPARK PLUG	14	M143520	BLADE - STD
6	M148207	ENGINE AIR FILTER-FOAM		M152726	BLADE - HIGH LIFT
7	M152049	ENGINE AIR FILTER-PAPER		M145516	BLADE - MULCHING
8	AM117584	FUEL FILTER	15	M163990	BELT
9	R136239	HEADLIGHT BULB	16	AM125172	KIT - GAGE WHEEL
10	MIU804918	TRANSAXLE FILTER	17	M113955	FRONT ROLLER

Parts Needed in First 200 Hours of Operation

Qty	Part No	Item	Qty or Capacity	Change Interval In Hours
6	TY22029	Engine Oil JD Plus-50™ 10W-30	1.8 L (1.9 qt)	8/100/200
3	AM107423	Engine Oil Filter	1	8/100/200
14	TY22035	Low Viscosity Hy-Gard™	6.6 L (7 qt)	50/200
2	AM131054	Transaxle Filter	1	50/200
1	AM117584	Fuel Filter	1	200
2	M138938	Spark Plug	2	200
1	M148207	Engine Air Filter-Foam	1	200
1	M152049	Engine Air Filter-Paper	1	200
1	TY6341	John Deere Multi-Purpose SD Polyurea Grease		As Needed

"As Needed" Parts

Qty	Part No	Item
1	AM136872	Mower Deck Leveling Gauge
1	TY26288	Grease Gun

Home Maintenance Kit

Unit	Kit Number
X728	LG244

CLICK PART NUMBER TO BUY