

# 3812

## ADT-Pulled Scraper Pan



JOHN DEERE





## ***JOIN THE EARTHMOVING REVOLUTION***

When it comes to moving dirt, you have a lot of choices — from the traditional single excavator filling multiple articulated dump trucks (ADTs), to a scraper pulled behind a tractor. John Deere is proud to introduce a new way — the ADT-scraper-dozer configuration that features our biggest ADT converted to pull our largest scraper pan yet, the new 38-cubic-yard gooseneck 3812. Pushed by our 1050K Dozer, you now have the power to move and spread more dirt than most conventional methods.

## 3812 ADT-PULLED SCRAPER PAN

## FEATURES

### The power of choice

The 3812 boasts a 38-cubic-yard capacity and 12-foot cut width when paired with our 460 P-Tier or 460E-II ADT in push-load or top-load applications. Scraper controls fully integrate with the ADT to push productivity while easing operation. In scraper mode the ADT pairs with the 3812 to automatically optimize engine torque curves and differential locks, selecting a maximum cut gear to maintain momentum and reduce tire slip. Hitch and platform design converts between ADT with dump bin or pulling a scraper, for ultimate fleet flexibility and equipment utilization.

### When push comes to load

Put your John Deere 1050K Dozer to a powerful new use to push the 3812 ADT-Pulled Scraper Pan behind the 460 P-Tier or 460E-II ADT scraper configuration, for optimized loading efficiency. At 14-cubic-yards larger than previous pans, the 3812 is our biggest single-pan solution.

### The golden goose(neck)

Gooseneck hitch design seamlessly integrates with Deere 460 P-Tier and 460E-II ADTs to deliver a tight turning radius — great for congested jobsites and shorter cycle times. Additional camera installed on the gooseneck expands visibility of the bowl area to monitor scraper fill. Repositioned ADT rear camera enables visibility to the cutting edge.

### Know as you go

High-resolution Generation 5 monitor in the ADT cab displays at-a-glance productivity feedback including scraper position, real-time and average in-cut timers, load counter, and fuel efficiency. Masterful control of scraper functions is accessible via the ergonomic right-hand joystick.



**MAXIMIZE  
OPERATIONAL  
PRODUCTIVITY**

+



**MANAGE  
COST PER  
CUBIC YARD**

+



**BOOST  
FLEET  
UTILIZATION**



## 3812 ADT-PULLED SCRAPER PAN

### Comfortable cushion

Cylinders within the scraper are cushioned to absorb shocks during push loading, to help keep the operator comfortable and focused on the job instead of on bumpy travel and the risk of material loss.

### Making the cut

Our ADT has been maximized to deliver the most power, traction, and productivity in the scraper application for both novice and experienced operators. Scraper cut gear locks the engine into gear for a smooth cut. With the 1050K Dozer pushing from behind and traction control engaged, you can effortlessly navigate the cut without slipping.

### In the field

Field kits to convert existing large ADTs to scraper-ready configurations are available for order and installation through the John Deere dealer network.

### Body of work

Your 460 P-Tier or 460E-II ADT optimizes versatility for running in a traditional application either using the dump body or switched to the scraper application. The multifunction joystick used for the scraper can also act as the dump-body lever — easing the transition for service techs and operators.

### On the cutting edge

Make your choice of multiple cutting-edge options to suit the application. Heavy-duty option adds ¼ inch of cutting-edge thickness to resist wear and help extend product life.

### Ready to run

When utilized in scraper applications, the 460 P-Tier ADT is available for up to 8,000 hours/60 months of extended warranty. The 3812 ADT-Pulled Scraper Pan comes with a standard one-year warranty.

## ADD IT UP

	Tractor + Scraper	ADT + Scraper + Dozer	Excavator + ADT + Dozer
John Deere Equipment	9590R (1) w/ 2412DE (2)	460 P-Tier (1) w/ 3812 (1) + 1050K Dozer (1)	470 P-Tier (1) + 460 P-Tier (3) + 850L Dozer (1)
Cost per Hour	Maintenance, tires, operating, fuel, and 1 engine	Maintenance, tires, operating, fuel, undercarriage, and 2 engines	Maintenance, tires, operating, fuel, undercarriage, and 5 engines
Operators per Hour	1 operator	2 operators	5 operators
Productivity (cubic yard per 9-hour day)	368	249	632





**ADT SCRAPER MODE & EJECTOR DESIGN  
OPTIMIZE PRODUCTIVITY  
& CYCLE TIME**



### **Connected machines**

John Deere construction equipment comes with in-base connectivity — free from subscriptions or annual renewals. Analyze critical machine data, track utilization, review diagnostic alerts, and more from **the John Deere Operations Center™**. The Operations Center also enables **John Deere Connected Support™**, which uses data from thousands of connected machines to proactively address issues before they arise. Your dealer can also remotely monitor machine health, diagnose problems, and even update machine software without a trip to the jobsite.\*

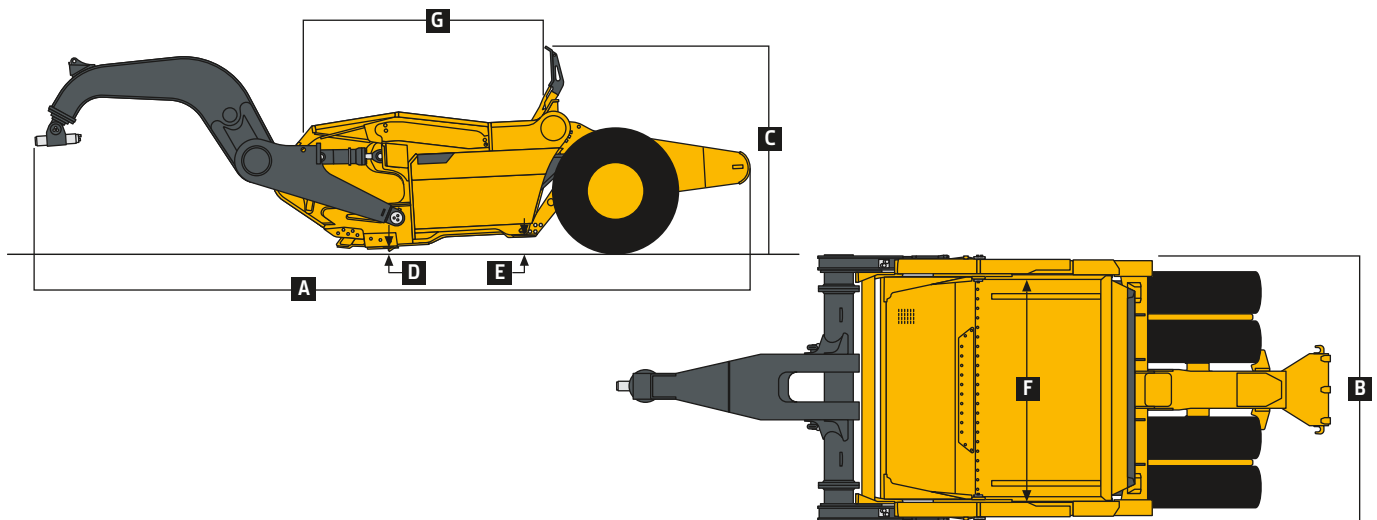
\*Availability varies by region and product. Options not available in every country.



# 3812

## ARTICULATED DUMP TRUCK (ADT)-PULLED SCRAPER PAN SPECIFICATIONS

<b>Capacities</b>		<b>3812</b>
Struck		19.19 m <sup>3</sup> (25.1 cu. yd.)
Heaped		29.05 m <sup>3</sup> (38.0 cu. yd.)
<b>Weights</b>		
Approximate Shipping Weight		22 180 kg (48,899 lb.)
Weight Distribution (loaded)		
Hitch		32%
Wheels		68%
<b>Tires</b>		
Size		29.5R25
Number of Tires		4
<b>Hydraulics</b>		
Flow		314.16 lpm (83 gpm)
System Pressure		28 000 kPa (4,061.06 psi)
<b>Machine Dimensions</b>		
A Length		11 506 mm (452.99 in.) (37 ft. 9 in.)
B Width		4242 mm (168.00 in.) (14 ft. 0 in.)
C Height		3556 mm (140.00 in.) (11 ft. 8 in.)
D Blade — Bowl Up		617 mm (24.29 in.)
E Floor — Bowl Up		587 mm (23.11 in.)
F Bowl Width		3912 mm (154.02 in.) (12 ft. 10 in.)
G Bowl Length		3619 mm (142.48 in.) (11 ft. 10 in.)



While general information, pictures, and descriptions are provided, some illustrations and text may include product options and accessories NOT AVAILABLE in all regions, and in some countries products and accessories may require modifications or additions to ensure compliance with the local regulations of those countries.

# Additional equipment

Key: ● Standard ▲ Optional or special See your John Deere dealer for further information.

3812 ADT-PULLED SCRAPER PAN		Cutting Edges
▲		6-in. drop-center cutting edge
▲		Heavy-duty (HD) 6-in. drop-center cutting edge
▲		Serrated drop-center cutting edge
▲		3-in. drop-center cutting edge
▲		Flush-center cutting edge

3812 ADT-PULLED SCRAPER PAN		Field Kits
●		Scraper-integration field kit*
●		Articulated dump truck (ADT) hitch field kit*
●		Scraper fender field kit for ADT
●		Scraper turn signals and brake light field kit for ADT

*\*Required to convert a 460 P-Tier or 460E-II ADT to pull a 3812 Scraper Pan.*

While general information, pictures, and descriptions are provided, some illustrations and text may include product options and accessories NOT AVAILABLE in all regions, and in some countries products and accessories may require modifications or additions to ensure compliance with the local regulations of those countries.

This literature has been compiled for worldwide circulation. PLEASE CONTACT YOUR LOCAL DEALER FOR DETAILS. John Deere reserves the right to change specifications, design, and price of products described in this literature without notice. Values are based on factory-observed data.



**JOHN DEERE**