


959ML SHOVEL LOGGER / DIRECTIONAL FELLER



JOHN DEERE





959ML SHOVEL LOGGER / DIRECTIONAL FELLER

OUT HERE, ORDINARY DOESN'T CUT IT.

Work can be demanding in your neck of the woods. That's why we rely on real-world insights from customers like you to tell us what you need to succeed. A long and wide undercarriage for singular stability. Dual-swing drive for productivity-boosting power. Expansive visibility. A large fuel tank to keep running — and producing — longer. A heavy-duty John Deere PowerTech™ Plus 9.0L diesel engine that delivers low total fluid consumption and high dependability. And shovel-logger and directional-feller configurations purpose built to harvest logs where reach might seem impossible. This machine was built to tackle your most difficult tasks.

Sure-footed stability

Reliable tractive effort enables maneuverable negotiation of difficult terrain, deep snow, and steep slopes. Long and wide undercarriage with expansive leveling envelope maximizes stability in all terrain conditions.

Winning the uphill battle

The 959ML can be factory configured with a directional-felling boom and head or a live-heel boom for steep-slope shovel-logging applications. The 959ML Shovel Logger can easily grab all logs within reach when working either uphill or downhill, minimizing overall ground disturbance.

Feel the boom

Long 36-foot live-heel shovel-logger boom features a wide swath of 20 feet 5 inches, for more capability with less machine movement in hard-to-access areas. Powerful 30- and 34-foot booms for directional felling over a wide swath, up or down the slope, cut widths of up to just over 20 feet.



OPTIONAL SLOPE-MONITORING SYSTEM EASES OPERATION

Level the playing field

An available option on 959ML models, our industry-leading slope-monitoring system measures the actual ground-slope angle the machine is working on and displays it on the in-cab monitor, for more confident operation in tough steep-slope conditions and potentially greater overall efficiency.

It hardly seems like work

Spacious climate-controlled cab features expansive jobsite visibility, ergonomic controls, and standard fully adjustable air-ride seat. Enhanced LED lighting package, including boom-mounted lights, enables you to work when you want, for as long as you want, no matter the jobsite environment.

Simplified service

Convenient access to service components helps simplify daily checks and preventative-maintenance tasks, so they get done on schedule, minimizing costly repairs down the road. Optional undercarriage-mounted toolbox provides convenient storage.

959ML SHOVEL LOGGER / DIRECTIONAL FELLER

CAUTION
Avoid personal injury.
Do not overexert.
Always control
power use carefully.
Always verify control
response.

WARNING
This machine may be
operated in the
engine bay that may
expose you to
moving parts.
Falling debris is a
hazard and can cause
personal injury.
Stay clear of the
machine until the
engine has stopped.

**PUT TECHNOLOGY TO WORK
IN THE WOODS AND AT THE OFFICE.**

Coordinate your operation and your team's productivity from wherever your work takes you with John Deere Precision Forestry and our core technology solutions.



FEATURES

Core intelligence

Your John Deere Forestry machine arrives from the factory equipped with a powerful set of technologies and capabilities already built in. Each plays an important role in managing the health and performance of your overall equipment fleet:

- **JDLINK connectivity** lets you track your equipment, see which machines are working, and monitor if they're being utilized properly and at maximum productivity and efficiency.
- Enabled through JDLINK, **John Deere Connected Support™** leverages a suite of dealer and factory tools designed to deliver increased uptime and productivity, and lower daily operating costs.
- **Remote Diagnostics and Programming Capability** within John Deere Connected Support helps your dealer warn you of any issue with your machine — often before you know of the problem yourself — and initiate solutions without charging you for a technician's visit to your jobsite.
- Our advanced dual approach to **Machine Health** combines the expertise of the technology specialists at our dealerships with the data specialists at our central Machine Health Monitoring Center (MHMC). As part of John Deere Connected Support, information from thousands of connected machines flows through the MHMC, enabling our specialists to identify trends and develop new and improved preventative-maintenance and repair protocols.

Precision Forestry


Take the guesswork out of planning, implementing, and monitoring your logging operation. The tools of our production-planning and -tracking system expand on the core technology features that come standard in every John Deere Forestry machine to unleash a powerful new array of possibilities:

- **TimberMatic™ Maps** is an innovative onboard software solution that helps you reimagine your jobsites. Real-time production views, optimized routes, and shared wireless connections between machines make it easier than ever before to take your forestry operation to the next level.
- **TimberManager™** is a web-based solution for PCs, tablets, and mobile phones that allows you to follow jobsite progress. Combined with TimberMatic Maps, this software provides complete visibility of your operation — from land harvested to specific machines — so you can streamline communication, analyze tasks, and increase productivity:
 - **Remote Monitoring** keeps tabs on the health and performance of your fleet from wherever you are.
 - **Precise Progress Tracking** lets you set goals for your team to meet throughout the day.
 - **Live Production View** displays progress including tree count, area harvested, and estimated tonnage.
 - **Simplified Mapping** of machine data and GPS-based location tracking shows precise stem and log counts.
 - **Real-Time Updates** let you adjust course or eliminate tasks if needed to maintain steady workflow.
 - **Fleet Optimization** goes beyond machine management to help improve the efficiency of your business.



JDLINK™ CONNECTIVITY

NO ADDITIONAL COST
NO SUBSCRIPTIONS
NO RENEWAL DATES

A green and black tracked directional feller is shown in a forest. The machine is equipped with a large directional felling head and has its headlights on, illuminating the scene. The background is a dense forest with tall trees and a misty atmosphere. The machine is positioned on a log, and its tracks are visible. The overall scene is a professional advertisement for the 959ML SHOVEL LOGGER / DIRECTIONAL FELLER.

959ML SHOVEL LOGGER / DIRECTIONAL FELLER

POWER YOUR PRODUCTIVITY AND TAME THE TIMBER.

Our newest dangle directional felling head, the FL100 model for the 959ML Directional Feller is designed to improve productivity. It features enhanced flexibility of operation and expanded capabilities to properly position timber compared to previous models.



FELLING HEAD

Rugged and ready

A robust and sturdy design and a grapple geometry with an arm profile designed to handle trees ranging from 4.3 to 39.3 inches make the FL100 a durable jack-of-all-trades attachment.

High-capacity versatility

Designed for large-diameter timber felling and shoveling on challenging terrain, the FL100 delivers outstanding grapple strength, arm durability, and rotate/tilt power, plus ease of daily and routine service. Unique long-arm geometry and large-capacity bar saw enable the FL100 to cut and handle timber of various sizes.



MAX. **58"**

GRAPPLE CAPACITY

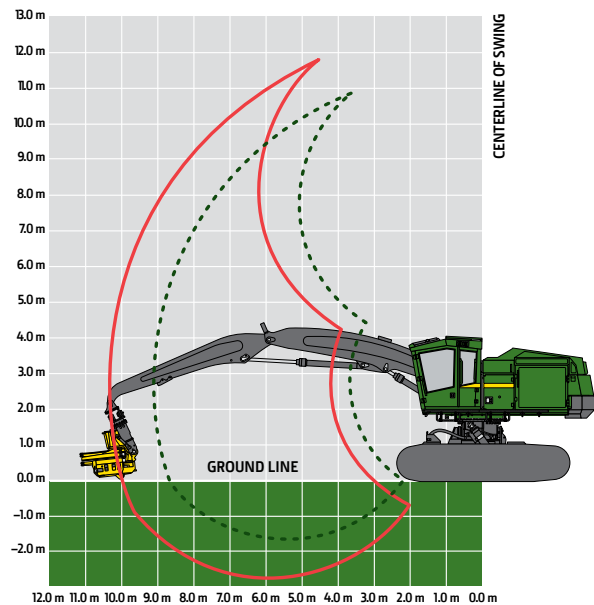
959ML DIRECTIONAL FELLER/SHOVEL LOGGER SPECIFICATIONS

Engine		
959ML Directional Feller/Shovel Logger		
Manufacturer and Model	John Deere PowerTech™ Plus 6090PSS	John Deere PowerTech Plus 6090H
Non-Road Emission Standard	EPA Final Tier 4/EU Stage IV	EPA Tier 3/EU Stage IIIA / EPA Tier 2/EU Stage II
Displacement	9.0 L (549 cu. in.)	9.0 L (549 cu. in.)
Peak Power at 1,900 rpm	246 kW (330 hp)	246 kW (330 hp)
Net Peak Torque at 1,500 rpm	1527 Nm (1,126 lb.-ft.)	1527 Nm (1,126 lb.-ft.)
Cooling		
Fan Type	Suction type, hydraulically driven, variable speed, reversing	
Hydraulics		
Closed center, pressure compensated, load sense		
Main Pump	Variable-displacement axial piston	
Maximum Rated Flow	532 L/min. (141 gpm)	
Attachment Pump	Dedicated variable-displacement axial piston	
Maximum Rated Flow	209 L/min. (55 gpm)	
Oil Filtration	2 main return filters, 10-micron return with bypass, 1 case-drain strainer, 25 micron	
Electrical		
	<i>EPA Final Tier 4/EU Stage V</i>	<i>EPA Tier 3/EU Stage IIIA / EPA Tier 2/EU Stage II</i>
Voltage	24 volt	24 volt
Number of Batteries	2 x 12 volt	2 x 12 volt
Alternator Rating	200 amp	100-amp standard / 130-amp optional
Work Lights	LED (14)	LED (14)
Optional Boom Lighting	LED (2); live-heel shovel logger only	LED (2); live-heel shovel logger only
Service Lights	LED (3)	LED (3)
Undercarriage		
Integral track guides, thick high-abrasion-resistant material, ramp angles, hydraulic track adjustment		
Track Size	U7L Extreme Duty (EXD)	
Track Chain	215.9 mm (8.5 in.)	
Number of Track Links (per side)	47	
Lower Rollers (per side)	10	
Carrier Slides / Rollers (per side)	2	
Travel Performance		
Travel Speed, Forward and Reverse		
High	3.6 km/h (2.2 mph)	
Low	1.7 km/h (1.0 mph)	
Tractive Effort	373 kN (83,880 lbf)	
Rotating Upper		
Swing System, Standard	<i>EPA Final Tier 4/EU Stage V</i>	<i>EPA Tier 3/EU Stage IIIA / EPA Tier 2/EU Stage II</i>
Swing Speed (maximum)	4.8 rpm	4.8 rpm
Swing Torque	110 170 Nm (81,257 lb.-ft.)	110 174 Nm (81,260 lb.-ft.)
Swing Brake	Sealed wet multi-disc, manually applied/released	Sealed wet multi-disc, manually applied/released
Serviceability		
	<i>EPA Final Tier 4/EU Stage V</i>	<i>EPA Tier 3/EU Stage IIIA / EPA Tier 2/EU Stage II</i>
Fuel Tank	1080 L (285 gal.)	1080 L (285 gal.)
Diesel Exhaust Fluid (DEF) Tank	42 L (11 gal.)	N/A
Ground Pressure (SAE J1309)		
Includes standard equipment, 11.0-m (36 ft. 1 in.) boom with heel, half-full fuel tank, and all fluids, less attachment		
Undercarriage	U7L EXD	U7L EXD
Counterweight	Medium	Medium
Boom	Live heel	Live heel
Track Shoes		
610-mm (24 in.) Double Grouser	75.6 kPa (11.0 psi)	74.9 kPa (10.86 psi)
610-mm (24 in.) Single Grouser	75.5 kPa (11.0 psi)	74.8 kPa (10.85 psi)
711-mm (28 in.) Single Grouser	65.4 kPa (9.5 psi)	64.8 kPa (9.4 psi)

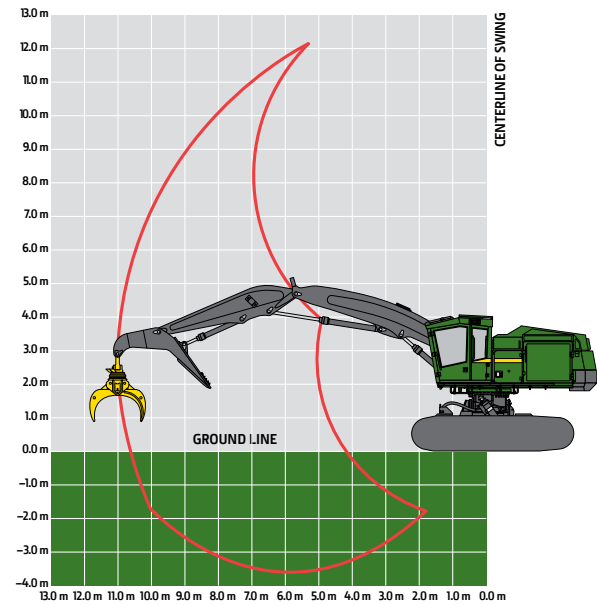
While general information, pictures, and descriptions are provided, some illustrations and text may include product options and accessories NOT AVAILABLE in all regions, and in some countries products and accessories may require modifications or additions to ensure compliance with the local regulations of those countries.

Operating Weight	959ML Directional Feller		959ML Shovel Logger	
Includes standard equipment, 610-mm (24 in.) single-grouser tracks, flat skylight, half-full fuel tank, and all fluids, less attachment	<i>EPA Final Tier 4/EU Stage V / EPA Tier 3/EU Stage IIIA / EPA Tier 2/EU Stage II</i>		<i>EPA Final Tier 4/EU Stage V / EPA Tier 3/EU Stage IIIA / EPA Tier 2/EU Stage II</i>	
Undercarriage	U7L EXD		U7L EXD	
Counterweight	Medium		Medium	
Boom	9.12-m (29 ft. 11 in.) power 10.34 m (33 ft. 11 in.)		11.0-m (36 ft. 1 in.) live heel 11.0-m (36 ft. 1 in.) live heel	
Approximate Weight — Base Machine	37 390 kg (82,440 lb.)	37 610 kg (82,930 lb.)	39 360 kg (86,790 lb.)	38 999 kg (85,990 lb.)
Boom Performance				
9.12-m (29 ft. 11 in.) Boom (5.44-m swath) With FL100	<i>EPA Final Tier 4/EU Stage V / EPA Tier 3/EU Stage IIIA / EPA Tier 2/EU Stage II</i>		<i>EPA Final Tier 4/EU Stage V / EPA Tier 3/EU Stage IIIA / EPA Tier 2/EU Stage II</i>	
Lift Option	<i>Power</i>		<i>N/A</i>	
Lift Capacity, Bare Pin at Full Reach	6170 kg (13,600 lb.)		<i>N/A</i>	
Lift Capacity, Bare Pin at 7.62 m (25 ft.)	8220 kg (18,130 lb.)		<i>N/A</i>	
Lift Capacity, Bare Pin at 6.10 m (20 ft.)	10 670 kg (25,530 lb.)		<i>N/A</i>	
10.34-m (33 ft. 11 in.) Boom (6.13-m swath) With FL100				
Lift Option	<i>Standard</i>			
Lift Capacity, Bare Pin at Full Reach	4860 kg (10,720 lb.)		<i>N/A</i>	
Lift Capacity, Bare Pin at 9.14 m (30 ft.)	5800 kg (12,790 lb.)		<i>N/A</i>	
Lift Capacity, Bare Pin at 7.62 m (25 ft.)	7300 kg (16,100 lb.)		<i>N/A</i>	
Lift Capacity, Bare Pin at 6.10 m (20 ft.)	9460 kg (20,860 lb.)		<i>N/A</i>	
11.0-m (36 ft. 1 in.) Boom (6.23-m swath)				
Lift Option			<i>Standard, Including Live Heel</i>	
Lift Capacity, Bare Pin at Full Reach	<i>N/A</i>		4360 kg (9,610 lb.)	
Lift Capacity, Bare Pin at 9.14 m (30 ft.)	<i>N/A</i>		6240 kg (13,760 lb.)	
Lift Capacity, Bare Pin at 7.62 m (25 ft.)	<i>N/A</i>		7750 kg (17,090 lb.)	
Lift Capacity, Bare Pin at 6.10 m (20 ft.)	<i>N/A</i>		9850 kg (21,720 lb.)	

959ML Directional Feller



959ML Shovel Logger



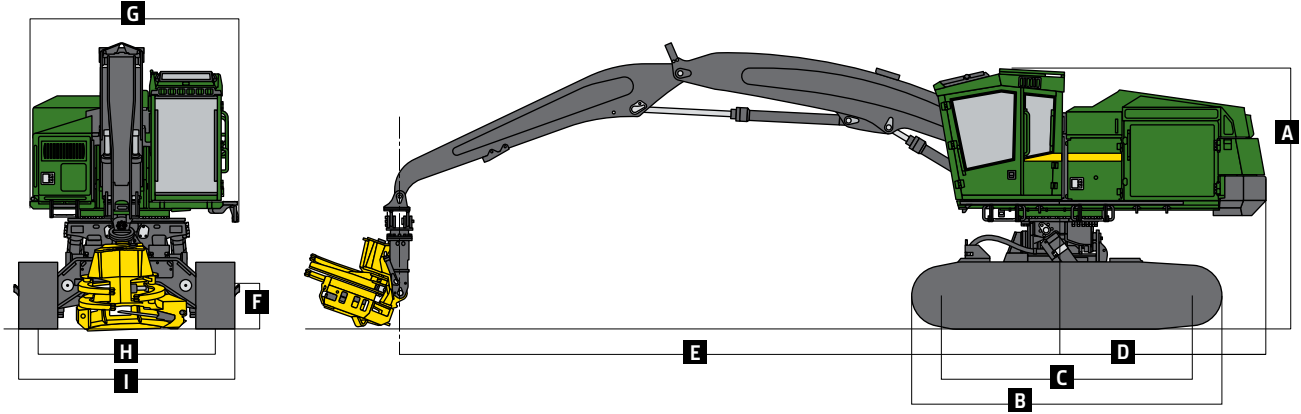
While general information, pictures, and descriptions are provided, some illustrations and text may include product options and accessories NOT AVAILABLE in all regions, and in some countries products and accessories may require modifications or additions to ensure compliance with the local regulations of those countries.

959ML DIRECTIONAL FELLER/SHOVEL LOGGER SPECIFICATIONS (continued)

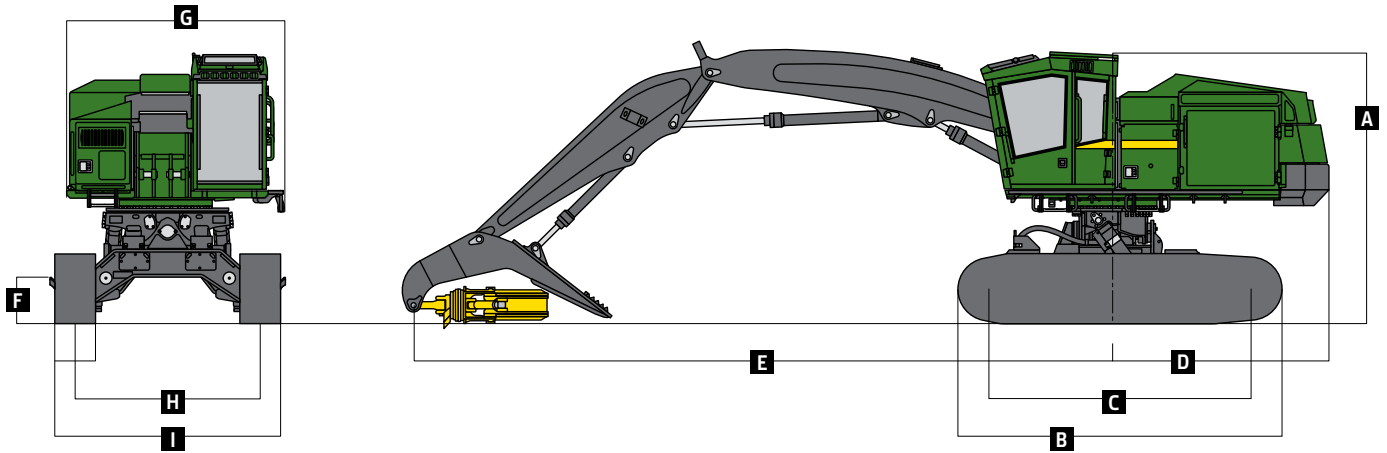
Attachment Information		FL100	
Dimensions		Rotator	
Height (to boom pin)	2420 mm (95.3 in.)	Rotation	Continuous
Width (arms open)	2270 mm (89.4 in.)	Rotate Motors	2
Depth (arms open)	1995 mm (78.5 in.)	Grapple Arms	
Weight	2995 kg (6,600 lb.)	Maximum Opening	1470 mm (57.9 in.)
Cutting		Minimum Closed Diameter	110 mm (4.3 in.)
Saw Bar	1140 mm (45 in.)	Grapple Capacity	0.77 m ² (8.4 sq. ft.)
Saw Motor	50 cc	Cylinders	
Chain Tension	Auto (standard)	Grapple Arms	110-mm (4.3 in.) cushioned (2)
Maximum Cut	1000 mm (39.3 in.)	Tilt	90 mm (3.5 in.) (2)
Chain	19-mm (0.75 in.) pitch	Configuration	959ML Directional Feller
Chain Oil Capacity	35 L (9.2 gal.)		
Machine Dimensions		959ML Directional Feller	959ML Shovel Logger
		<i>EPA Final Tier 4/EU Stage V / EPA Tier 3/EU Stage IIIA / EPA Tier 2/EU Stage II</i>	<i>EPA Final Tier 4/EU Stage V / EPA Tier 3/EU Stage IIIA / EPA Tier 2/EU Stage II</i>
Standard Undercarriage		U7L EXD	U7L EXD
A Overall Height (standard configurations)		With 10.34-m (33 ft. 11 in.) directional-feller boom	With 11.0-m (36 ft. 1 in.) live-heel shovel-logger boom
Top of Cab With Flat Skylight		4.03 m (13 ft. 3 in.)	4.03 m (13 ft. 3 in.)
Top of Cab With Peaked Skylight		4.24 m (13 ft. 11 in.)	4.24 m (13 ft. 11 in.)
Top of Boom, Extended, Attachment Vertical		4.56 m (15 ft. 0 in.)	4.56 m (15 ft. 0 in.)
B Overall Track Length		4.90 m (16 ft. 1 in.)	4.90 m (16 ft. 1 in.)
C Track Length (idler to sprocket center)		3.81 m (12 ft. 6 in.)	3.81 m (12 ft. 6 in.)
D Tail Swing (from swing center)		3.18 m (10 ft. 5 in.)	3.18 m (10 ft. 5 in.)
E Boom Reach (to attachment pin)			
9.12-m (29 ft. 11 in.) Boom			
Maximum		9.12 m (29 ft. 11 in.)	N/A
Minimum		3.68 m (12 ft. 1 in.)	N/A
Cutting Swath		5.44 m (17 ft. 10 in.)	N/A
10.34-m (33 ft. 11 in.) Boom			
Maximum		10.34 m (33 ft. 11 in.)	N/A
Minimum		4.21 m (13 ft. 10 in.)	N/A
Cutting Swath		6.13 m (20 ft. 1 in.)	N/A
11.0-m (36 ft. 1 in.) Boom With Heel			
Maximum		N/A	11.0 m (36 ft. 1 in.)
Minimum		N/A	4.77 m (15 ft. 8 in.)
Cutting Swath		N/A	6.23 m (20 ft. 5 in.)
F Ground Clearance			
Single Grouser		770 mm (30 in.)	770 mm (30 in.)
Double Grouser		747 mm (29 in.)	747 mm (29 in.)
G Upperstructure Width With Standard Walkway		3.20 m (10 ft. 6 in.)	3.20 m (10 ft. 6 in.)
H Track Gauge		2.72 m (8 ft. 11 in.)	2.72 m (8 ft. 11 in.)
I Width Over Tracks			
610-mm (24 in.) Track Shoes		3.33 m (10 ft. 11 in.)	3.33 m (10 ft. 11 in.)
711-mm (28 in.) Track Shoes		3.43 m (11 ft. 3 in.)	3.43 m (11 ft. 3 in.)

While general information, pictures, and descriptions are provided, some illustrations and text may include product options and accessories NOT AVAILABLE in all regions, and in some countries products and accessories may require modifications or additions to ensure compliance with the local regulations of those countries.

959ML Directional Feller



959ML Shovel Logger





Contact us to learn more.

JohnDeere.com/ShovelLogger
JohnDeere.ca/ShovelLogger



MSL959U (22-05)



JOHN DEERE