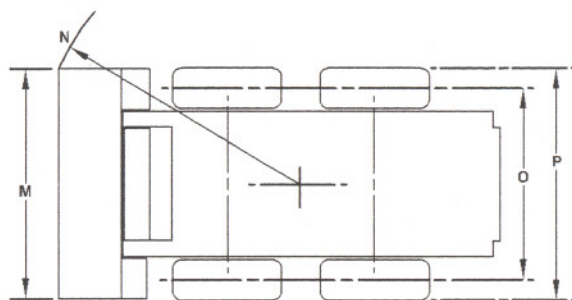
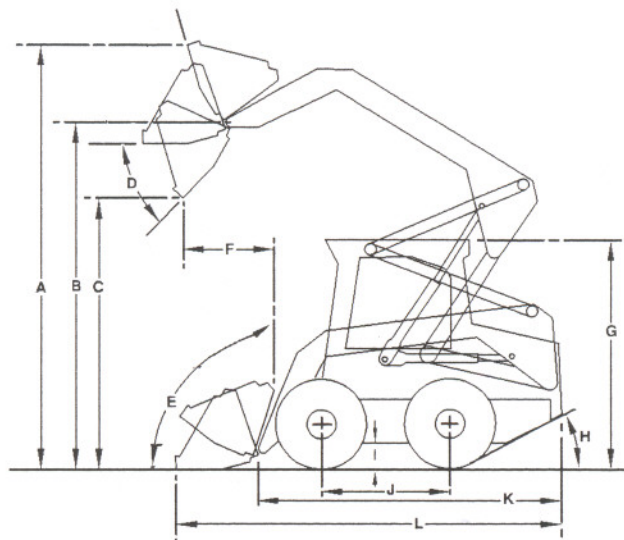


## SPECIFICATIONS

		8875
<b>Engine</b>		
Make .....	John Deere	
Model .....	3029T Turbo charged	
Type .....	Diesel	
Cylinders .....	3	
Bore .....	4.19 in. (106.4 mm)	
Stroke .....	4.39 in. (111.5 mm)	
Displacement .....	177 cu-in (2.9 L)	
Gross horsepower .....	64 (48 kW)	
Net horsepower .....	61 (45 kW) @ 2100 rpm	
Peak torque .....	186 ft-lb (25.8 kg.m)	
RPM, slow (no load) .....	950	
RPM, fast (no load) .....	2270	
Lubrication .....	Full pressure	
Crankcase capacity (with filter) .....	9 qt (8.5 L)	
Cooling system .....	Liquid	
Coolant capacity radiator and block .....	16 qt (15.1 L)	
Air filter type .....	Dry paper with primary and secondary elements	
Muffler .....	Aspirator/Catalytic	
<b>Electrical</b>		
Type of starter .....	Delco 28 MT	
Battery voltage .....	12 V	
Battery reserve capacity at 27°C (80° F) .....	160 minutes	
Battery cold cranking amps at -18°C (0°F) .....	925	
Charging system .....	55 amp Magneton alternator	
<b>Fuel System</b>		
Fuel .....	Diesel #1 or #2	
Capacity .....	18.8 gal (71.2 L)	
Fuel delivery .....	Inline direct injection	
Fuel shut-off .....	Fuel shutoff solenoid in injection pump	
Auto-Bleed fuel system .....	N/A	
<b>Power Train</b>		
Type .....	Hydrostatic axial piston pumps and motors	
Brakes .....	Dry disk on hydrostatic motor shaft	
<b>Steering</b>		
Type .....	Power - hydrostatic	
<b>Hydraulics</b>		
Main hydraulic relief pressure .....	2600 psi (17926 kPa)	
Hydraulic pump .....	17.6 gpm (67.8 lpm)	
Hydraulic valve .....	3 spool open center	
Hydraulic system capacity .....	6.75 gal (25.5 L)	
Built-in boom locks .....	Yes	
Bucket capacity (heaped) .....	16.7 cu-ft (0.473 cu-m)	
Bucket width .....	72 in. (1828mm)	
<b>Performance</b>		
SAE operating load .....	2352 lb (1068 kg)	
Breakout force (bucket) .....	5203 lb (2362 kg)	
Breakout force (boom) .....	6284 lb (2853 kg)	
Ground speed in low .....	0 - 7.6 mph (0 - 12.2 km/h)	
Ground speed in high .....	0 - 12.1 mph (0 - 19.6 km/h)	
Axle torque .....	6332 ft-lb (8586 N•m)	
Operating weight .....	7004 lb (3177 kg)	
<b>Cycle Times In Seconds (fast idle)</b>		
Raise boom .....	3.6	
Lower boom .....	1.5	
Rollback bucket .....	1.8	
Dump bucket .....	2.4	
<b>Sound Rating dbA at Operator's Ear</b>		
<b>@ 2800 rpm (SAE J919)</b>		
Right ear .....	88.4	
Left ear) .....	88.0	

### DIMENSIONS



CSM5492

**8875**

A. Overall Operating Height	150 in. (3810 mm)
B. Height to Hinge Pin	122 in. (3099 mm)
C. Dump Height	97 in. (2464 mm)
D. Dump Angle	45 degrees
E. Bucket Rollback	37 degrees
F. Dump Reach	30 in. (762 mm)
G. Height to ROPS	72 in. (1829 mm)
H. Angle of Departure	28 degrees
I. Ground Clearance	8 in. (203 mm)
J. Wheelbase	48 in. (1219 mm)
K. Overall Length Less Bucket	112 in. (2845 mm)
L. Overall Length With Bucket	142 in. (3607 mm)
M. Overall Width With Bucket	72 in. (1829 mm)
N. Turning Radius (Front)	82.75 in. (2102 mm)
O. Wheel Tread	69 in. (1753 mm)
P. Overall Width Less Bucket	69 in. (1753 mm)
Q. Turning Radius (Rear)	69.25 in. (1759 mm)

*Note: Performance base on skid steer equipped with 12.00-16.5 tires, auxiliary boom hydraulics, 72" dirt & foundry bucket, full fuel tank, and 175 lb. operator.*