

803M TRACKED FELLER BUNCHER



JOHN DEERE



803M TRACKED FELLER BUNCHER



BUILT FOR WORK IN THE REAL WORLD.

Keeping up in the woods and at the landing can be some of the hardest work you do. So when you asked for job-proven mid-size might to help get things done, we took it from there. The result is a tracked feller buncher equipped with standard Smooth Boom Control (SBC) for exceptional command. A long and wide undercarriage for sturdy stability. Dual-swing drive for powerful performance. Standard Rapid Cycle System (RCS) for optimized operation. Uncompromising cab comfort and visibility. Plus a range of available options to suit your application. It all adds up to a purpose-built machine designed to work for you.

Smooth operation

Smooth Boom Control (SBC) allows machine movements to be controlled more effectively, delivering a smoother experience for the operator and less wear and tear on the machine over time.

Sure-footed stability

Generous tractive effort enables reliable negotiation of difficult or steep terrain, deep snow, and swamps. Long and wide undercarriage maximizes stability in all terrain conditions.

Expansive visibility

Floor-to-ceiling front window, large side windows, skylight, and optional floor window significantly expand the view of the harvesting area and the work at hand.

Comfortable control

Ergonomically designed controls and seat with dual-density seat pan and contour plus updated armrest and suspension boost overall operator comfort. Options such as heated-ventilated seat (HVS) and updated premium Bluetooth® radio with XM Satellite Radio ready from the factory take comfort to the next level.



CUT TIME



**MAXIMIZE
PRODUCTIVITY**

WITH STANDARD RAPID CYCLE SYSTEM

Rapid Cycle System (RCS)

Standard RCS can be tailored to individual skill levels and specific harvesting conditions, from large single-tree harvesting to high-speed, multi-stem cutting. Multiple RCS settings can be saved according to individual operator preferences.

Get in the swing

Dual-swing system increases power and performance in demanding felling or harvesting conditions, boosting overall productivity.

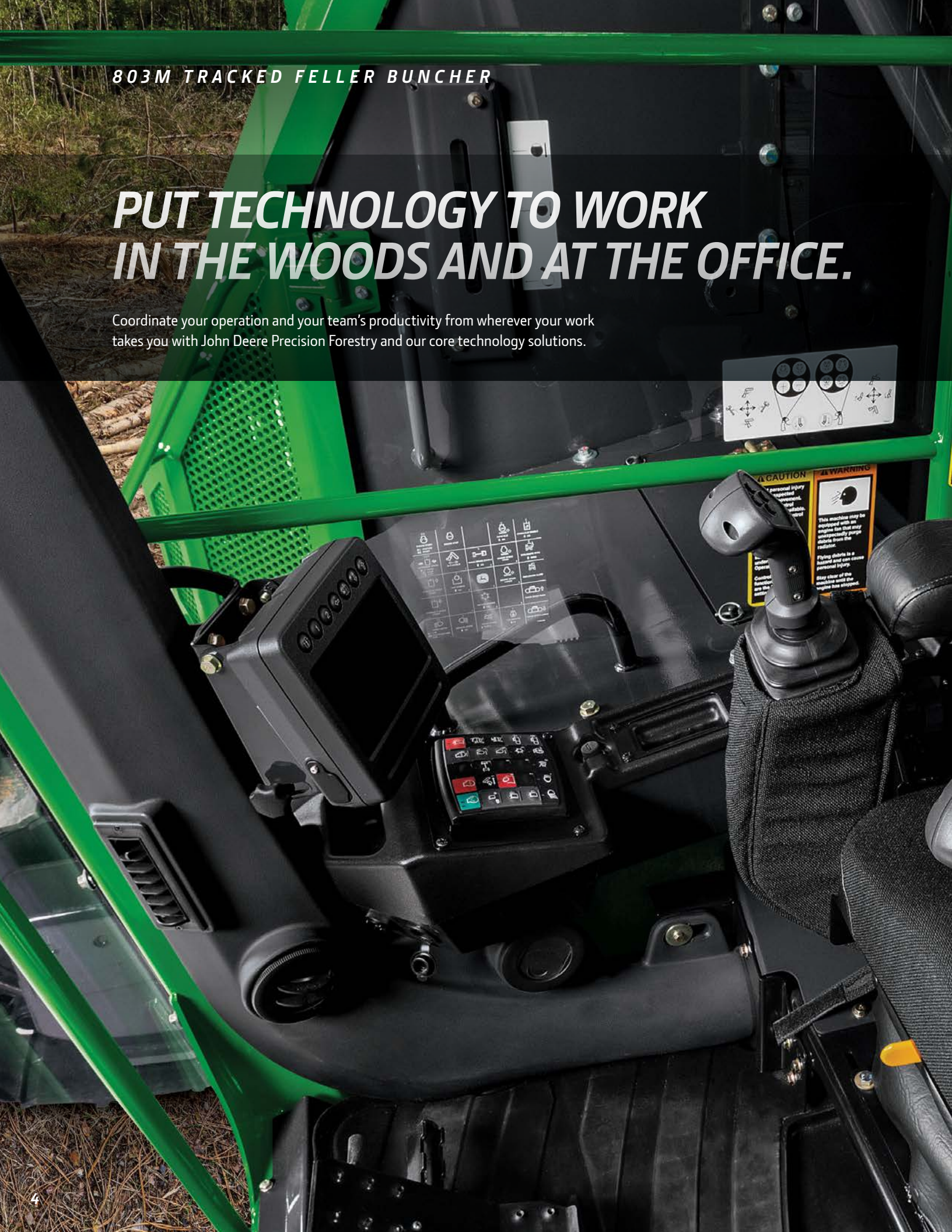
Smart debris management

Designed to keep your workspace free and clear, the productivity-boosting debris-management system is integrated into the hood and left-side guarding to prevent materials and debris from entering the cooling package. External screening, sealed cooler compartment, and standard variable-speed reversing fan provide protection as needed.

803M TRACKED FELLER BUNCHER

PUT TECHNOLOGY TO WORK IN THE WOODS AND AT THE OFFICE.

Coordinate your operation and your team's productivity from wherever your work takes you with John Deere Precision Forestry and our core technology solutions.





**JOHN DEERE
PRECISION FORESTRY**
TOOLS ENABLE PRODUCTION
PLANNING & TRACKING

FEATURES

Core intelligence

Your John Deere Forestry machine arrives from the factory equipped with a powerful set of technologies and capabilities already built in. Each plays an important role in managing the health and performance of your overall equipment fleet:

- **JDLink™** connectivity lets you track your equipment, see which machines are working, and know if they're being utilized properly and at maximum productivity and efficiency.
- Enabled through JDLink, **John Deere Connected Support™** leverages a suite of dealer and factory tools designed to deliver increased uptime and productivity, and lower daily operating costs.
- **Remote Diagnostics and Programming Capability** within John Deere Connected Support helps your dealer warn you of any issue with your machine — often before you know of the problem yourself — and initiate solutions without charging you for a technician's visit to your jobsite.
- Our advanced dual approach to **Machine Health** combines the expertise of the technology specialists at our dealerships with the data specialists at our central Machine Health Monitoring Center (MHMC). As part of John Deere Connected Support, information from thousands of connected machines flows through the MHMC, enabling our specialists to identify trends and develop new and improved preventative-maintenance and repair protocols.

Precision Forestry

Take the guesswork out of planning, implementing, and monitoring your logging operation. The tools of our production-planning and -tracking system expand on the core technology features that come standard in every John Deere Forestry machine to unleash a powerful new array of possibilities:

- **TimberMatic™ Maps** is an innovative onboard software solution that helps you reimagine your jobsites. Real-time production views, optimized routes, and shared wireless connections between machines make it easier than ever before to take your forestry operation to the next level.
- **TimberManager™** is a web-based solution for PCs, tablets, and mobile phones that allows you to follow jobsite progress. Combined with TimberMatic Maps, this software provides complete visibility of your operation — from land harvested to specific machines — so you can streamline communication, analyze tasks, and increase productivity:
 - **Remote Monitoring** keeps tabs on the health and performance of your fleet from wherever you are.
 - **Precise Progress Tracking** lets you set goals for your team to meet throughout the day.
 - **Live Production View** displays progress including tree count, area harvested, and estimated tonnage.
 - **Simplified Mapping** of machine data and GPS-based location tracking shows precise stem and log counts.
 - **Real-Time Updates** let you adjust course or eliminate tasks if needed to maintain steady workflow.
 - **Fleet Optimization** goes beyond machine management to help improve the efficiency of your business.

Cut and accumulate

The **FR21B** is a lighter-weight, high-rotation felling head designed for both select- and final-harvest applications. With excellent cut and accumulation capacity, this felling head has been optimized for small to mid-sized timber. The 803M Tracked Feller Buncher is most typically equipped with the FR21B felling head.

FIND YOUR FELLING HEAD AND CUT TO THE BOTTOM LINE

Designed to run on swing-to-tree tracked feller bunchers like the 803M, these flexible felling heads can more than capably help you take it on.



TIT
INE.

FELLING HEADS

Well within your reach

From small stems to big timber, softwood to hardwood, level or sloped ground, John Deere has a disk saw felling head that's designed for your job.

Robust flexibility

Available in both limited and high rotation, the **FS22B and FR22B*** are our most versatile felling heads. They're robust enough to handle larger, mature trees, with the tree-handling performance to also efficiently accumulate mid-sized timber.

Proven reliability

Delivering efficient, multi-stem high-accumulation performance with huge pockets and tall horns, and available in both limited and high-rotation wrist, **FS50 and FR50*** felling heads are best suited for first and second thinnings as well as high-production plantation harvests.

*With 6.10-meter (20 ft.) boom only.

Choose the correct felling head for your 803M Tracked Feller Buncher.



6–14"

Plantation Thinning
Select Cut
High Accumulation
Short–Mid-Height
Timber

FS50 / FR50



10–18"

Select Cut
Final Felling
Mid–High
Accumulation
Mid-Height Timber

FR21B



14–22"

Select Cut
Final Felling
Mid Accumulation
Mid-Height–
Tall Timber

FS22B / FR22B



FS50



FR50



FS22B



FR22B

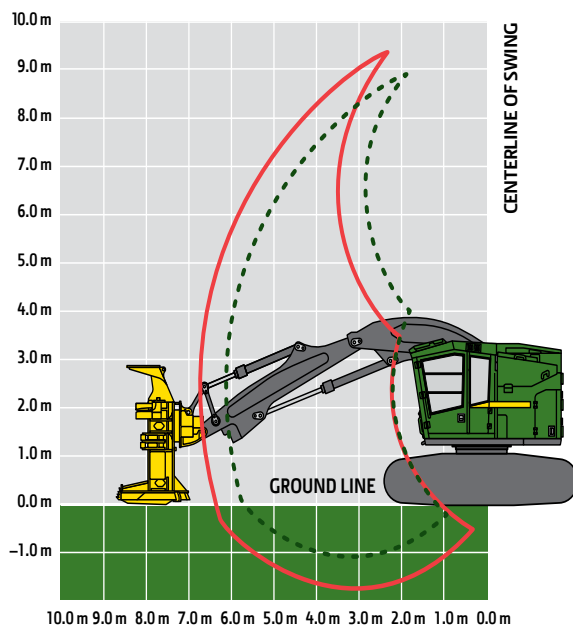
803M TRACKED FELLER BUNCHER SPECIFICATIONS

Engine		
Engine	803M	
Manufacturer and Model	John Deere PowerTech™ Plus 6090PSS	John Deere PowerTech Plus 6090H
Non-Road Emission Standard	EPA Final Tier 4/EU Stage V	EPA Tier 3/EU Stage IIIA / EPA Tier 2/EU Stage II
Cylinders	6	6
Displacement	9.0 L (549 cu. in.)	9.0 L (549 cu. in.)
Peak Power at 1,900 rpm	224 kW (300 hp)	224 kW (300 hp)
Net Peak Torque at 1,500 rpm	1270 Nm (937 lb.-ft.)	1270 Nm (937 lb.-ft.)
Cooling		
Fan Type	Suction type, hydraulically driven, variable speed, reversing	
Hydraulics		
Closed center, load sense, pressure compensated		
Standard Travel System		
Main Pump	Variable-displacement axial piston	
Maximum Rated Flow	532 L/min. (141 gpm)	
Continuous Saw Pump	Dedicated variable-displacement axial piston	
Maximum Rated Flow	135 L/min. (36 gpm)	
Attachment Pump	Dedicated variable-displacement axial piston	
Maximum Rated Flow	135 L/min. (36 gpm)	
Dedicated Travel System		
Main Pump	Variable-displacement axial piston	
Maximum Rated Flow	494 L/min. (131 gpm)	
Travel Pump	Dedicated variable-displacement axial piston	
Maximum Rated Flow (x2)	190 L/min. (50 gpm)	
Continuous Saw Pump	Dedicated variable-displacement axial piston	
Maximum Rated Flow	135 L/min. (36 gpm)	
Attachment Pump	Dedicated variable-displacement axial piston	
Maximum Rated Flow	135 L/min. (36 gpm)	
Oil Filtration	2 main return filters, 10-micron return with bypass, 1 case-drain strainer, 25 micron	
Electrical		
	EPA Final Tier 4/EU Stage V	EPA Tier 3/EU Stage IIIA / EPA Tier 2/EU Stage II
Voltage	24 volt	24 volt
Number of Batteries	2 x 12 volt	2 x 12 volt
Alternator Rating	200-amp standard	100-amp standard, 130-amp optional
Work Lights	LED (12)	LED (12)
Service Lights	LED (2)	LED (2)
Undercarriage		
Integral track guides, thick high-abrasion-resistant material, ramp angles, hydraulic track adjustment		
Size	U6 Extreme Duty (EXD)	
Track Chain	203.2 mm (8 in.)	
Number of Track Links (per side)	47	
Lower Rollers (per side)	9	
Carrier Slides/Rollers (per side)	2	
Travel Performance	<i>Standard Travel</i>	<i>Dedicated Travel</i>
Travel Speed, Forward and Reverse		
High	4.6 km/h (2.9 mph)	4.7 km/h (2.9 mph)
Low	2.6 km/h (1.6 mph)	2.6 km/h (1.6 mph)
Tractive Effort	241 kN (54,224 lbf)	225 kN (50,470 lbf)
Rotating Upper		
Swing System	<i>Standard</i>	<i>Optional</i>
Swing Speed (maximum)	7.7 rpm	6.8 rpm
Swing Torque	55 090 Nm (40,630 lb.-ft.)	94 740 Nm (69,880 lb.-ft.)
Swing Brake	Sealed wet multi-disc, manually applied/released	Sealed wet multi-disc, manually applied/released
Serviceability		
Refill Capacities	EPA Final Tier 4/EU Stage V	EPA Tier 3/EU Stage IIIA / EPA Tier 2/EU Stage II
Fuel Tank	870 L (228.9 gal.)	870 L (228.9 gal.)
Diesel Exhaust Fluid (DEF)	34 L (8.9 gal.)	N/A

While general information, pictures, and descriptions are provided, some illustrations and text may include product options and accessories NOT AVAILABLE in all regions, and in some countries products and accessories may require modifications or additions to ensure compliance with the local regulations of those countries.

Ground Pressure (SAE J1309)		
803M		
Includes standard equipment, medium counterweight, half-full fuel tank, and all fluids, less attachment		
	<i>EPA Final Tier 4/EU Stage V</i>	<i>EPA Tier 3/EU Stage IIIA / EPA Tier 2/EU Stage II</i>
Undercarriage	U6 EXD	U6 EXD
Double Grouser		
610 mm (24 in.)	62.3 kPa (9.0 psi)	61.5 kPa (8.9 psi)
762 mm (30 in.)	54.1 kPa (7.9 psi)	53.5 kPa (7.8 psi)
Single Grouser		
610 mm (24 in.)	61.8 kPa (9.0 psi)	61.1 kPa (8.9 psi)
711 mm (28 in.)	53.6 kPa (7.8 psi)	53.0 kPa (7.7 psi)
Triple Grouser (soft terrain only)		
914 mm (36 in.)	44.1 kPa (6.4 psi)	43.6 kPa (6.3 psi)
Operating Weight		
Includes standard equipment, 610-mm (24 in.) single-grouser tracks, standard counterweight, half-full fuel tank, and all fluids, less attachment		
	<i>EPA Final Tier 4/EU Stage V</i>	<i>EPA Tier 3/EU Stage IIIA / EPA Tier 2/EU Stage II</i>
Undercarriage	U6 EXD	U6 EXD
Approximate Weight — Base Machine	29 300 kg (64,610 lb.)	28 940 kg (63,810 lb.)
Boom Performance		
6.71-m (22 ft.) Boom		
Maximum Reach (to tip of saw blade)	8.49 m (27 ft. 10 in.)	
Minimum Reach (to tip of saw blade)	3.83 m (12 ft. 7 in.)	
Cutting Swath	4.66 m (15 ft. 3 in.)	
Standard Lift Option With Rapid Cycle System (RCS)		
Lift Capacity, Bare Pin at Full Reach	4400 kg (9,700 lb.)	
Lift Capacity, Bare Pin at 6.1 m (20 ft.)	5520 kg (12,170 lb.)	
Lift Capacity, Bare Pin at 4.6 m (15 ft.)	7990 kg (17,620 lb.)	
6.10-m (20 ft.) Boom		
Maximum Reach (to tip of saw blade)	7.88 m (25 ft. 10 in.)	
Minimum Reach (to tip of saw blade)	3.92 m (12 ft. 10 in.)	
Cutting Swath	3.96 m (13 ft. 0 in.)	
Standard Lift Option With RCS		
Lift Capacity, Bare Pin at 6.10 m (20 ft.) at Full Reach	4830 kg (10,650 lb.)	
Lift Capacity, Bare Pin at 4.6 m (15 ft.)	7840 kg (17,290 lb.)	

803M Tracked Feller Buncher



While general information, pictures, and descriptions are provided, some illustrations and text may include product options and accessories NOT AVAILABLE in all regions, and in some countries products and accessories may require modifications or additions to ensure compliance with the local regulations of those countries.

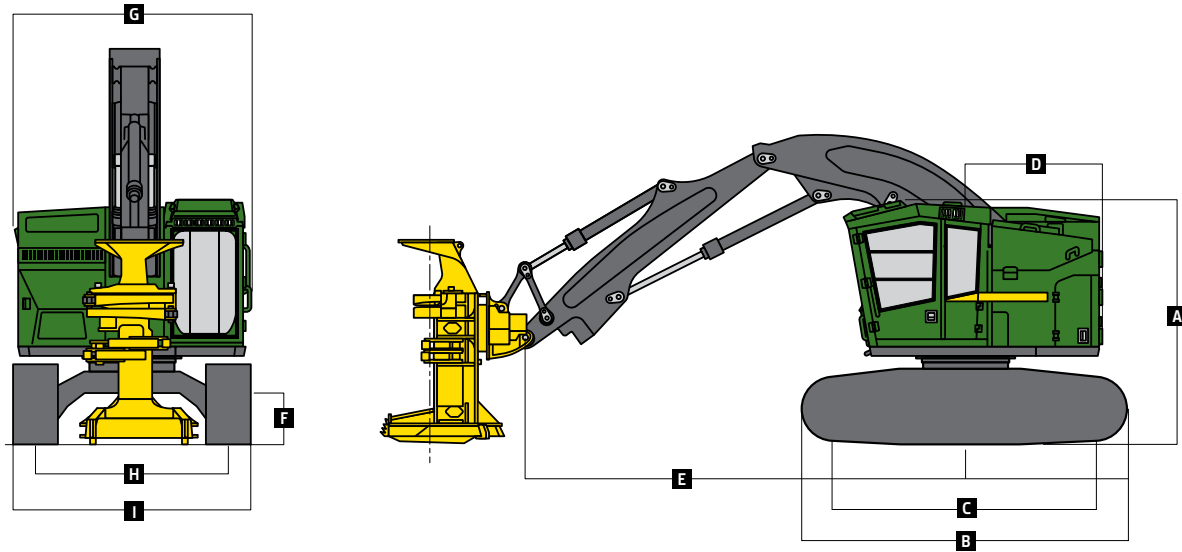
803M TRACKED FELLER BUNCHER SPECIFICATIONS (continued)

Attachment Information		803M				
Attachment	FR21B	FS22B	FR22B*	FSS0	FR50*	
Maximum Cutting Capacity	545 mm (21.5 in.)	559 mm (22.0 in.)	559 mm (22.0 in.)	508 mm (20.0 in.)	508 mm (20.0 in.)	
Maximum Accumulation Capacity	0.46 m ² (5.0 sq. ft.)	0.48 m ² (5.2 sq. ft.)	0.48 m ² (5.2 sq. ft.)	0.64 m ² (6.9 sq. ft.)	0.64 m ² (6.9 sq. ft.)	
Opening at Front of Housing	1180 mm (46.5 in.)	1280 mm (50.4 in.)	1280 mm (50.4 in.)	870 mm (34.3 in.)	870 mm (34.3 in.)	
Blade Diameter	1372 mm (54.0 in.)	1422 mm (56.0 in.)	1422 mm (56.0 in.)	1346 mm (53.0 in.)	1346 mm (53.0 in.)	
Number of Teeth	18	18	18	18	18	
Saw rpm	1,150 rpm	1,150 rpm	1,150 rpm	1,250 rpm	1,225 rpm	
Wrist Rotation	302 deg.	30 deg.	312 deg.	30 deg.	312 deg.	
Width at Saw Housing	1550 mm (61.0 in.)	1620 mm (63.8 in.)	1620 mm (63.8 in.)	1660 mm (65.0 in.)	1510 mm (59.4 in.)	
Height	2820 mm (111.0 in.)	3068 mm (120.8 in.)	3068 mm (120.8 in.)	2850 mm (112.0 in.)	2846 mm (112.0 in.)	
Weight (including adapter and wrist)	3140 kg (6,920 lb.)	3550 kg (7,820 lb.)	3840 kg (8,470 lb.)	3370 kg (7,430 lb.)	3666 kg (8,082 lb.)	
*With 6.10-m (20 ft.) boom only.						
Machine Dimensions						
Standard Undercarriage	U6 EXD					
A Overall Height With Standard 6.71-m (22 ft.) Boom						
Top of Cab With Flat Skylight	3.43 m (11 ft. 3 in.)					
Top of Cab With Peaked Skylight	3.65 m (12 ft. 0 in.)					
Top of Boom, Extended, Attachment Vertical	3.89 m (12 ft. 9 in.)					
B Overall Track Length	4.61 m (15 ft. 1 in.)					
C Track Length (idler to sprocket center)	3.57 m (11 ft. 9 in.)					
D Tail Swing (from swing center)						
Small Counterweight	1.94 m (6 ft. 4 in.)					
Medium Counterweight	1.94 m (6 ft. 4 in.)					
Medium Extended Counterweight	2.25 m (7 ft. 4 in.)					
E Boom Reach (to attachment pin)						
Standard 6.71-m (22 ft.) Boom						
Maximum	6.71 m (22 ft. 0 in.)					
Minimum	2.05 m (6 ft. 9 in.)					
Cutting Swath	4.66 m (15 ft. 3 in.)					
Optional 6.10-m (20 ft.) Boom						
Maximum	6.10 m (20 ft. 0 in.)					
Minimum	2.14 m (7 ft. 0 in.)					
Cutting Swath	3.96 m (13 ft. 0 in.)					

While general information, pictures, and descriptions are provided, some illustrations and text may include product options and accessories NOT AVAILABLE in all regions, and in some countries products and accessories may require modifications or additions to ensure compliance with the local regulations of those countries.

Machine Dimensions <i>(continued)</i>		803M
Standard Undercarriage <i>(continued)</i>		U6 EXD
F	Ground Clearance	
	Single Grouser	744 mm (29 in.)
	Double Grouser	715 mm (28 in.)
	Triple Grouser	700 mm (28 in.)
G	Upperstructure Width	
	Standard	3.15 m (10 ft. 4 in.)
	With Optional Walkway	3.36 m (11 ft. 0 in.)
H	Track Gauge	2.67 m (8 ft. 9 in.)
I	Width Over Tracks	
	610-mm (24 in.) Track Shoes	3.28 m (10 ft. 9 in.)
	711-mm (28 in.) Track Shoes	3.38 m (11 ft. 1 in.)
	760-mm (30 in.) Track Shoes	3.43 m (11 ft. 3 in.)
	914-mm (36 in.) Track Shoes	3.58 m (11 ft. 9 in.)

803M Tracked Feller Buncher



While general information, pictures, and descriptions are provided, some illustrations and text may include product options and accessories NOT AVAILABLE in all regions, and in some countries products and accessories may require modifications or additions to ensure compliance with the local regulations of those countries.



MTFB803U (22-05)

Contact us to learn more.

JohnDeere.com/FellerBunchers
JohnDeere.ca/FellerBunchers



JOHN DEERE